

D

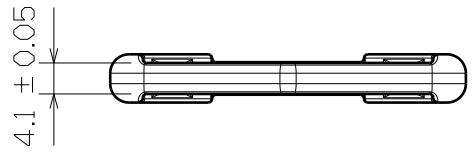
C

B

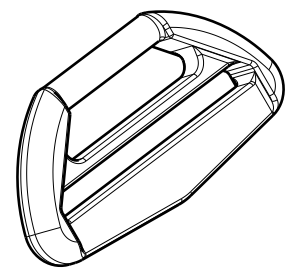
A

4

4



Top View

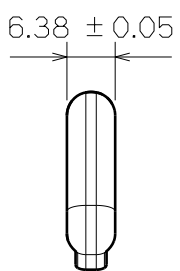


3D View

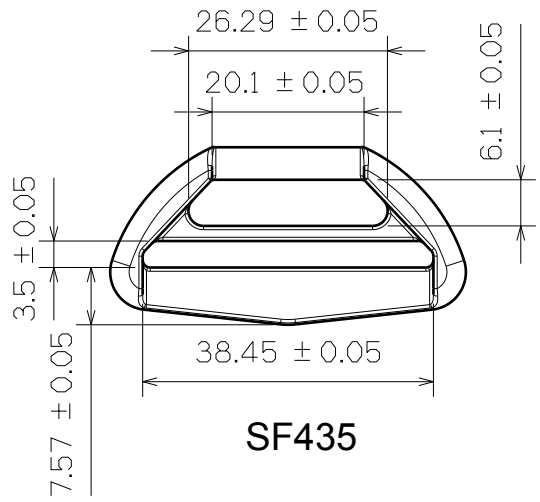


3

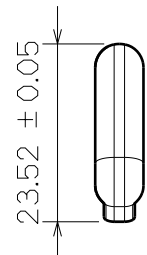
3



Right View



SF435




Left View

2

2

1

1

This drawing is our property. It can't be reproduced or communicated without our written agreement.		 SHIN FANG PLASTIC INDUSTRIAL CO., LTD.			
DRAWN BY DANIEL CHEN		DATE 2009/2/3		DRAWING TITLE LADDER SHAPED SLIDER	
CHECKED BY JIMMY CHEN		DATE 2009/2/3		SIZE A4	REV X
DESIGNED BY RD		DATE 2009/2		DRAWING NUMBER SF435	MATERIAL POM
		SCALE 1:1	SHEET 1/1		

D

A