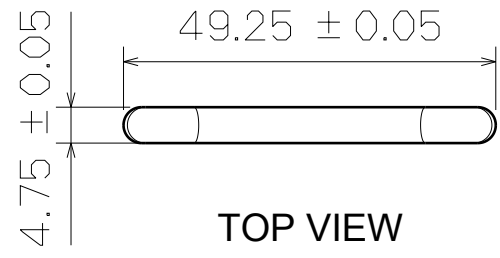


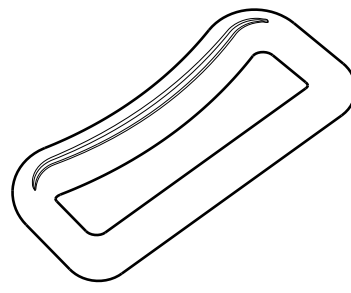
H G F E D C B A

4

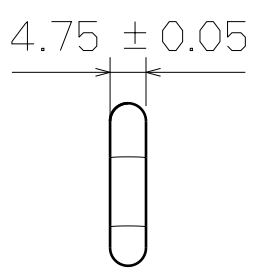
4



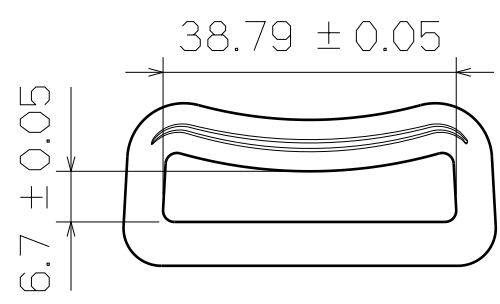
TOP VIEW



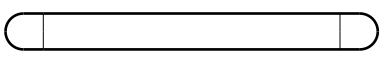
3D VIEW



RIGHT VIEW



SF434-38MM



BOTTOM VIEW

3

3

2

2

1

1

This drawing is our property.
It can't be reproduced
or communicated without
our written agreement.



**SHIN FANG PLASTIC
INDUSTRIAL CO., LTD.**

DRAWN BY	DATE
DANIEL CHEN	2006/4/6
CHECKED BY	DATE
JIMMY CHEN	2006/4/8
DESIGNED BY	DATE
RD	2006/4

DRAWING TITLE			
LOOP			
SIZE	DRAWING NUMBER	REV	
A3	SF434-38MM	X	
SCALE	1:1	MATERIAL	PE
		SHEET	1/1

H G B A