

H G F E D C B A

4

4

3

3

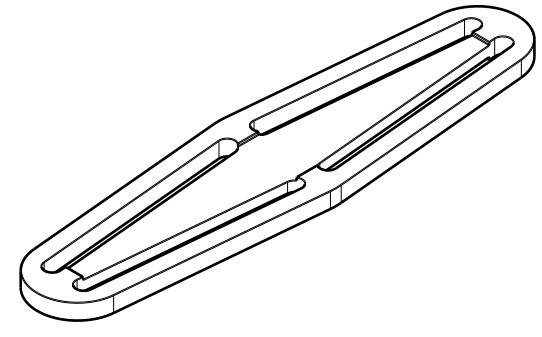
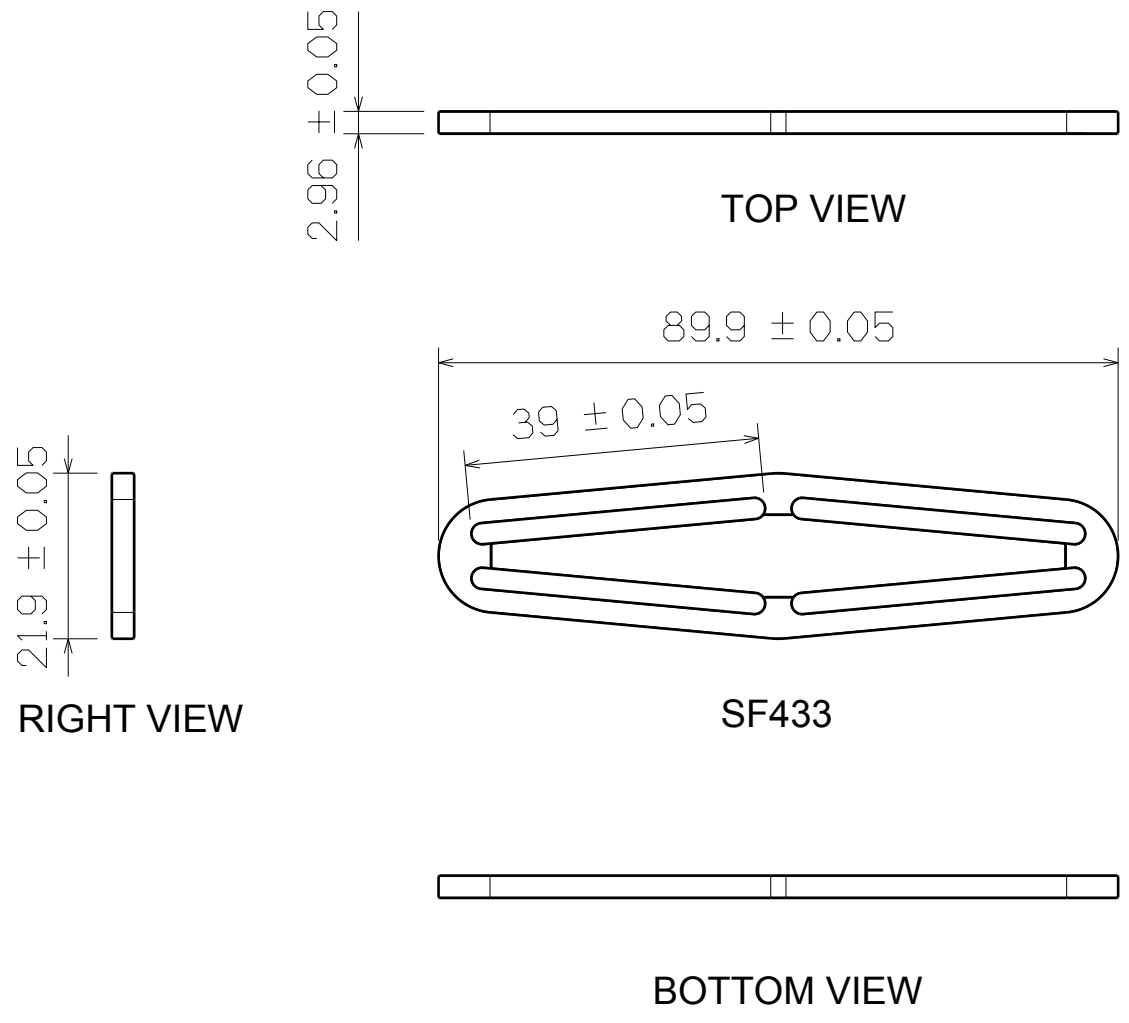
2

2

1


1

H G F E D C B A



3D VIEW



This drawing is our property. It can't be reproduced or communicated without our written agreement.		 SHIN FANG PLASTIC INDUSTRIAL CO., LTD.		
DRAWN BY DANIEL CHEN		DATE 2006/7/2		DRAWING TITLE STRAP DIVIDER
CHECKED BY JIMMY CHEN		DATE 2006/7/5		
DESIGNED BY RD		DATE 2006/7		SIZE A3
		SCALE 1:1		DRAWING NUMBER SF433
		MATERIAL LDPE		SHEET 1/1
				REV X