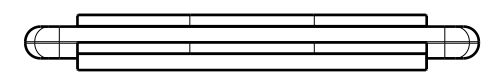
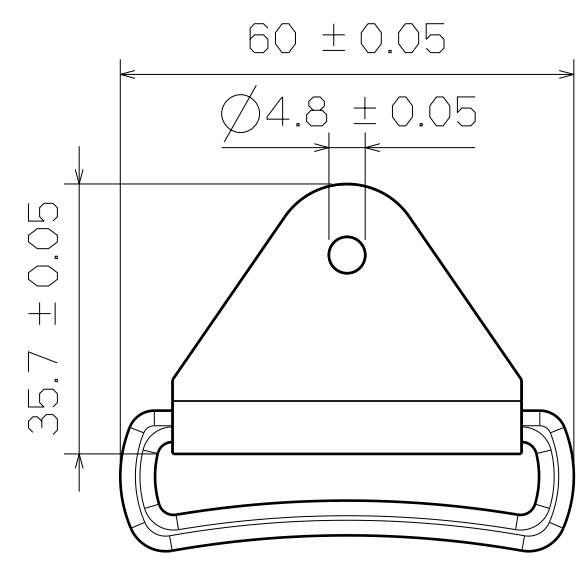


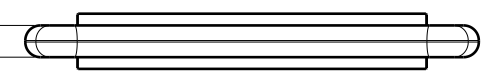
3D VIEW



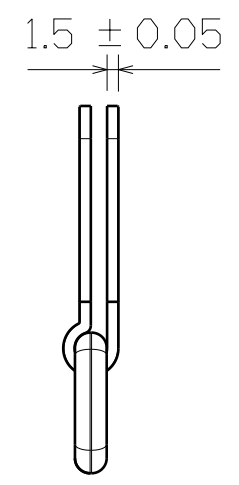
TOP VIEW



SF431-51MM




BOTTOM VIEW



RIGHT VIEW

1.5 ± 0.05

4.2 ± 0.05

This drawing is our property. It can't be reproduced or communicated without our written agreement.		 <b>SHIN FANG PLASTIC INDUSTRIAL CO., LTD.</b>			
DRAWN BY		DATE		DRAWING TITLE	
DANIEL CHEN		2006/4/2		CHAFE TAB	
CHECKED BY		DATE		SIZE	REV
JIMMY CHEN		2006/4/5		A3	X
DESIGNED BY		DATE		DRAWING NUMBER	
RD		2006/4		SF431-51MM	
SCALE		1:1		MATERIAL	SHEET
				PE/POM	1/1