

D

C

B

A

4

4

3

3

2

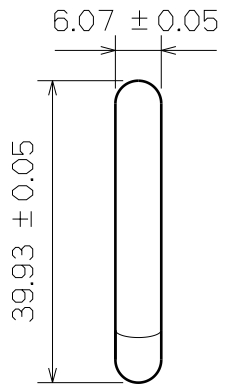
2

1

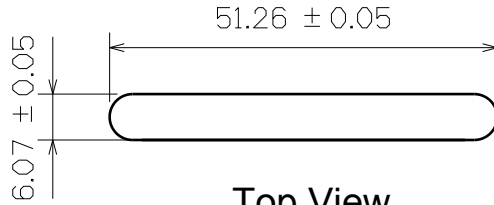
1

D

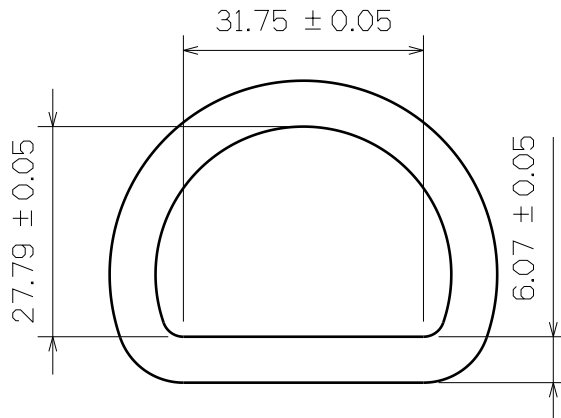
A



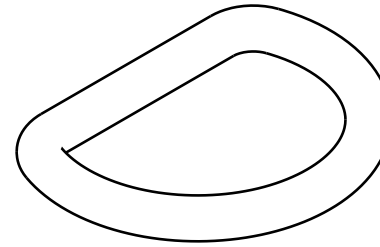
Right View



Top View




SF430-32mm



3D View



This drawing is our property. It can't be reproduced or communicated without our written agreement.		 SHIN FANG PLASTIC INDUSTRIAL CO., LTD.			
DRAWN BY		DRAWING TITLE			
DANIEL CHEN		DATE		D-RING	
2000/5/14		DATE		REV	
CHECKED BY		SIZE	DRAWING NUMBER		X
JIMMY CHEN		A4	SF430-32MM		
2000/5/17		SCALE 1:1		MATERIAL POM	SHEET 1/1
DESIGNED BY					
RD					
2000/5					