

H

G

F

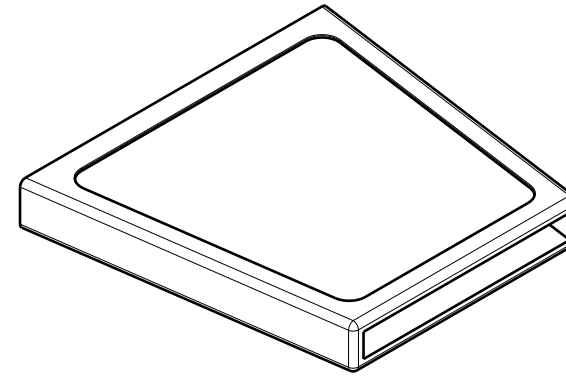
E

D

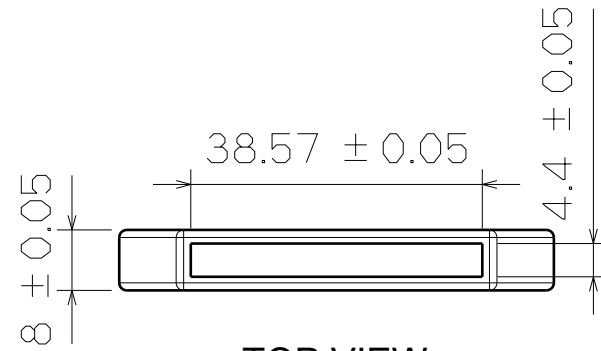
C

B

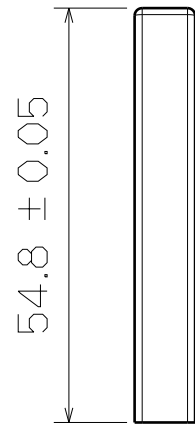
A



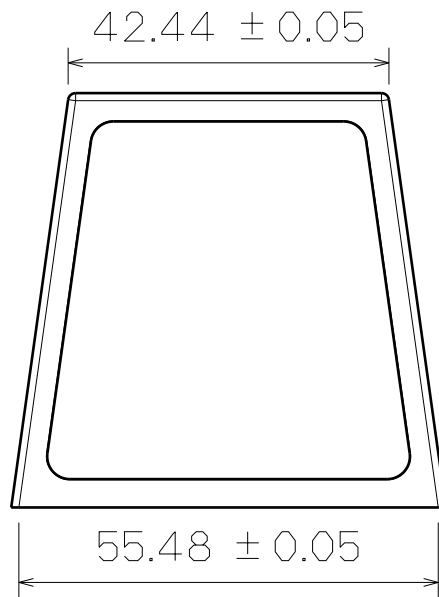
3D VIEW



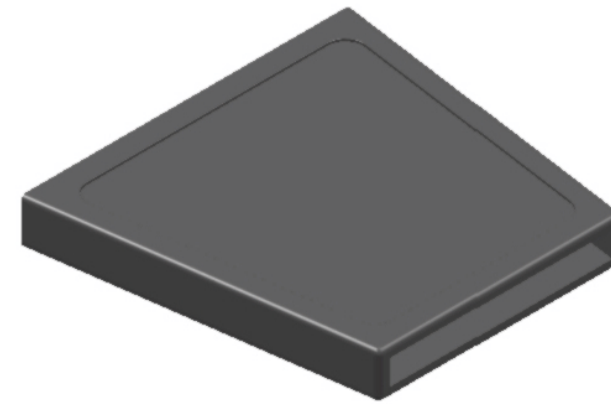
TOP VIEW



RIGHT VIEW



SF428



This drawing is our property.  
It can't be reproduced  
or communicated without  
our written agreement.



DRAWING TITLE

DRAWN BY	DATE
DANIEL CHEN	2000/3/2
CHECKED BY	DATE
JIMMY CHEN	2000/3/5
DESIGNED BY	DATE
RD	2000/3

DRAWING NUMBER		REV
SF428		X
SCALE	MATL.	SHEET
1:1	HYTREAL	1/1

H

G

B

A