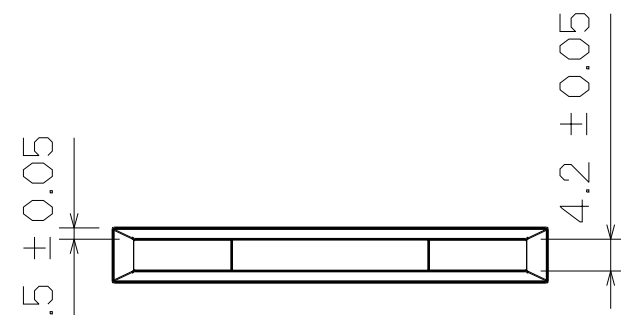


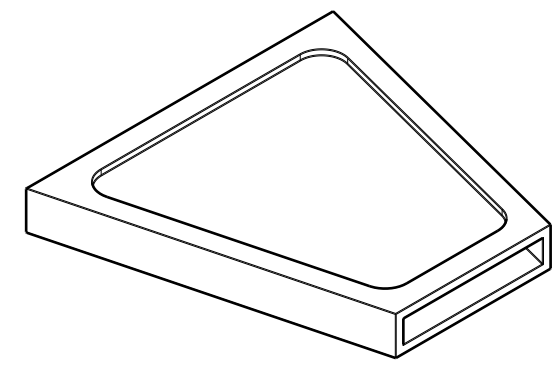
H G F E D C B A

4

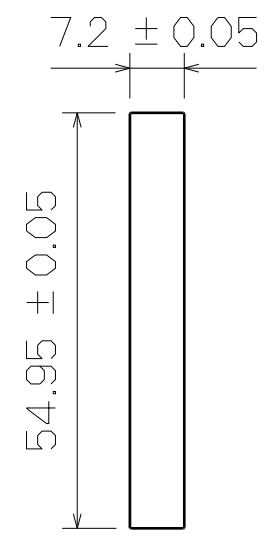
4



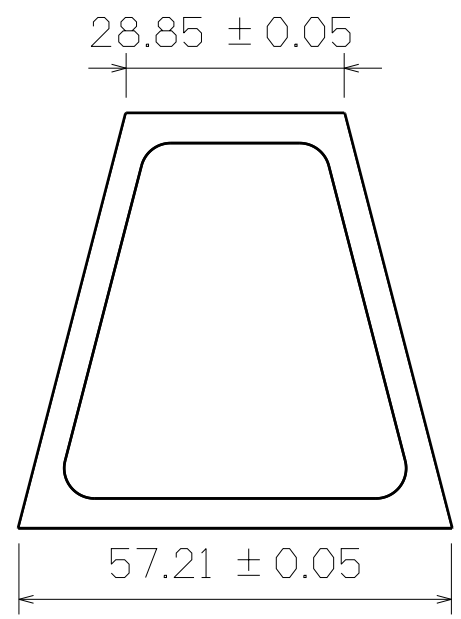
Top View



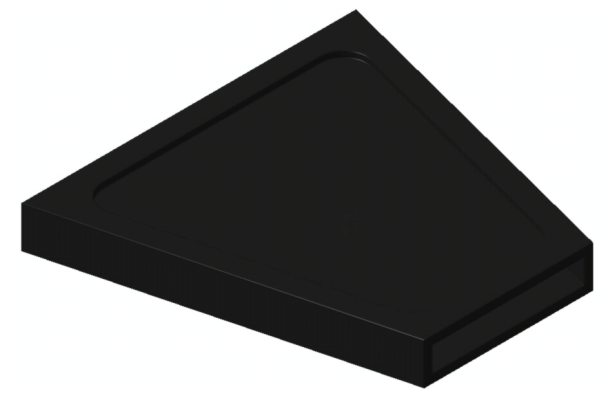
3D View



Right View



SF427




3

3

2

2

This drawing is our property. It can't be reproduced or communicated without our written agreement.		 <b>SHIN FANG PLASTIC INDUSTRIAL CO., LTD.</b>			
DRAWN BY		DRAWING TITLE			
DANIEL CHEN		WEBBING PATCH			
DATE		SIZE	DRAWING NUMBER		REV
2000/3/2		A3	SF427		X
CHECKED BY		SCALE	MATL.	SHEET	
JIMMY CHEN		1:1	HYTREAL		
DATE					
2000/3/5					
DESIGNED BY					
RD					
DATE					
2000/3					

H G B A

1

1