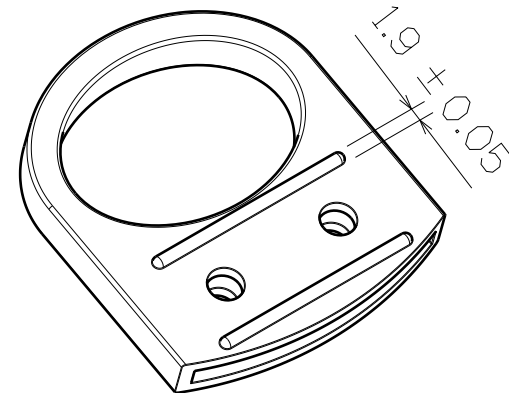
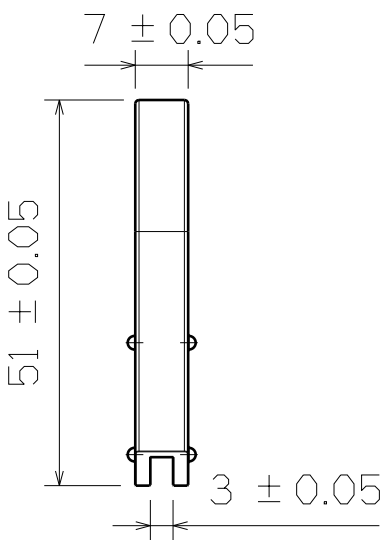


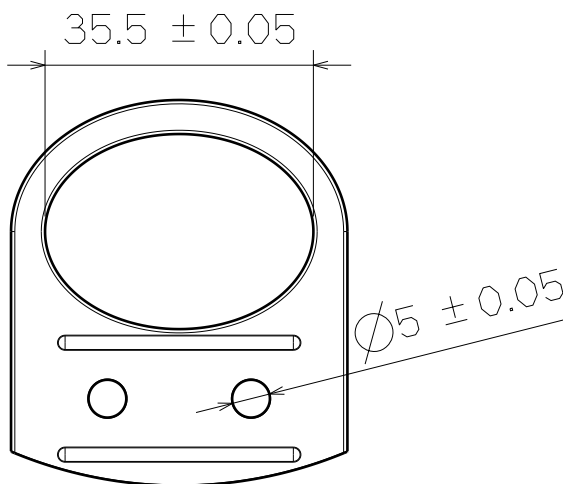
Top View



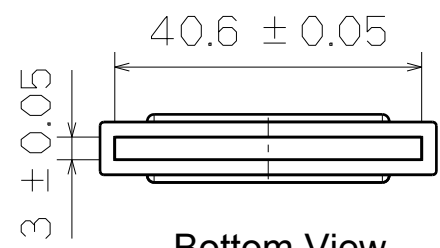
3D View




Right View



SF426-38mm



Bottom View

This drawing is our property. It can't be reproduced or communicated without our written agreement.		 SHIN FANG PLASTIC INDUSTRIAL CO., LTD.		
DRAWN BY DANIEL CHEN		DATE 2000/3/2		DRAWING TITLE WEBBING END
CHECKED BY JIMMY CHEN		DATE 2000/3/5		
DESIGNED BY RD		DATE 2000/3		SIZE: A3 DRAWING NUMBER: SF426-38MM REV: X
SCALE: 1:1		MATERIAL: NYLON		SHEET: 1/1