

H G F E D C B A

4

3

2

1

4

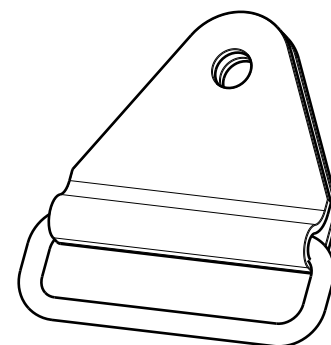
3

2

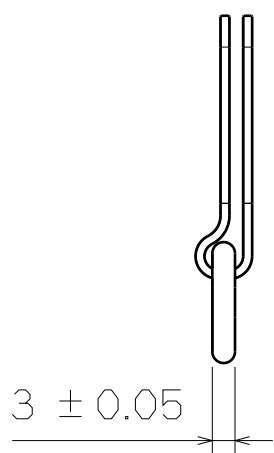
1



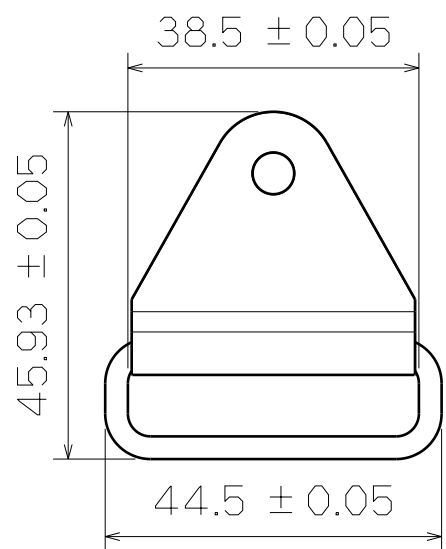
Top View



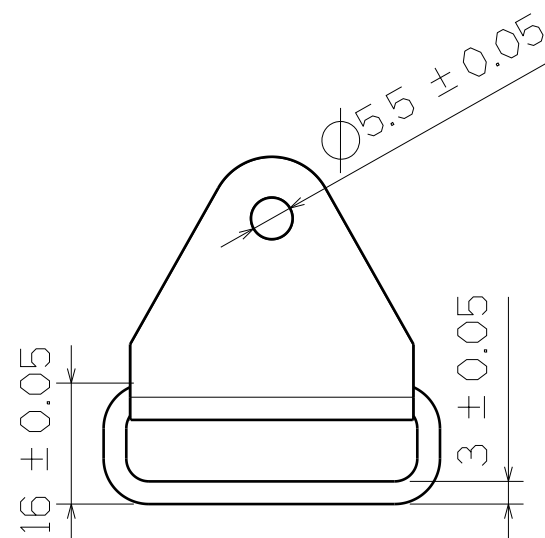
3D View



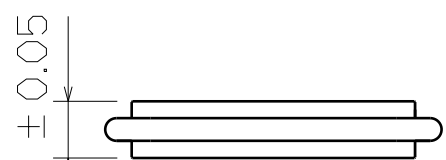
Right View




SF424-38mm



Back View



Bottom View

This drawing is our property. It can't be reproduced or communicated without our written agreement.		 SHIN FANG PLASTIC INDUSTRIAL CO., LTD.			
DRAWN BY DANIEL CHEN		DATE 2001/3/4		DRAWING TITLE CHAFE TAB	
CHECKED BY JIMMY CHEN		DATE 2001/3/7		SIZE A3	REV X
DESIGNED BY RD		DATE 2001/3		DRAWING NUMBER SF424-38MM	
		SCALE 1:1	MATERIAL NYLON	SHEET	1/1

H G F E D C B A