

H G F E D C B A

4

4

3

3

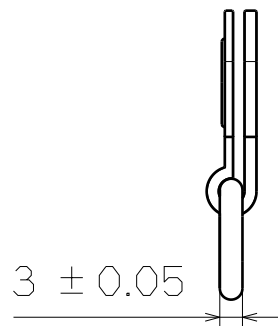
2

2

1

1

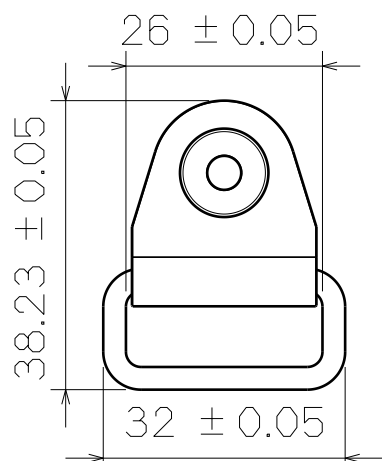
H G B A



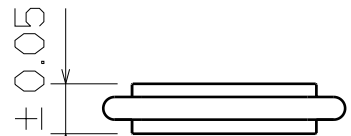
Right Side View



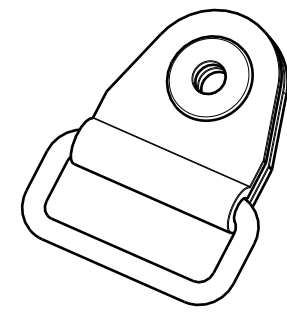
Top View



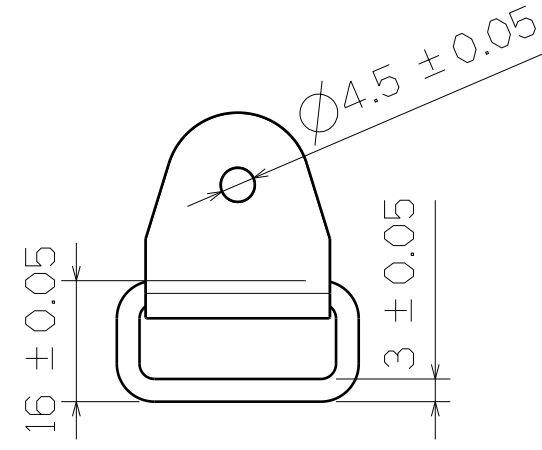
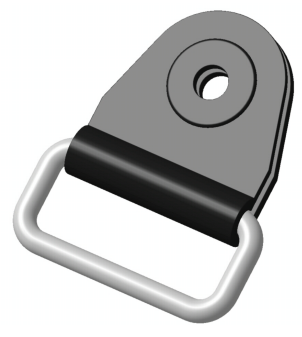
SF 424-25mm



Bottom View



3D View



Back View

This drawing is our property. It can't be reproduced or communicated without our written agreement.



SHIN FANG PLASTIC INDUSTRIAL CO., LTD.

DRAWN BY	DATE
DANIEL CHEN	2001/3/4
CHECKED BY	DATE
JIMMY CHEN	2001/3/7
DESIGNED BY	DATE
RD	2001/3

DRAWING TITLE			
CHAFE TAB			
SIZE	DRAWING NUMBER	REV	
A3	SF424-25MM	X	
SCALE	1:1	MATERIAL	NYLON
SHEET	1/1		