

D

C

B

A

4

4

3

3

2

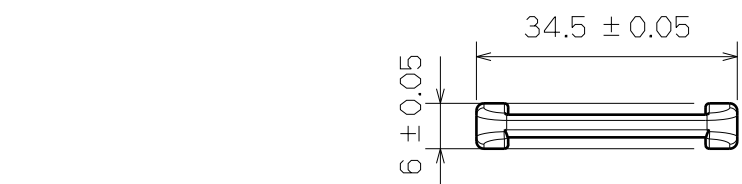
2

1

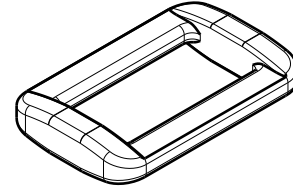
1

D

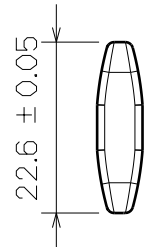
A



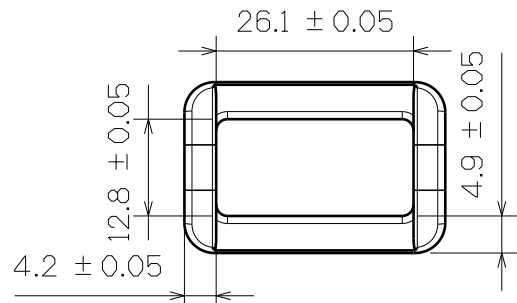
Top View



3D View



Right View



SF422-25mm



This drawing is our property.  
It can't be reproduced  
or communicated without  
our written agreement.



DRAWN BY	DATE
DANIEL CHEN	1999/2/5
CHECKED BY	DATE
JIMMY CHEN	1999/2/7
DESIGNED BY	DATE
RD	1999/2

DRAWING TITLE			
SQUARE LOOP			
SIZE	DRAWING NUMBER		REV
A4	SF422-25MM		X
SCALE	1:1	MATERIAL	POM
SHEET		1/1	