

D

C

B

A

4

4

3

3

2

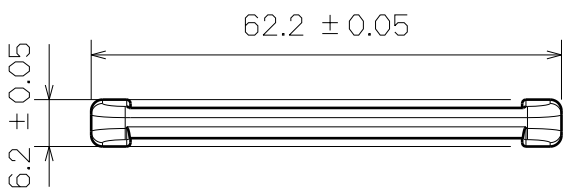
2

1

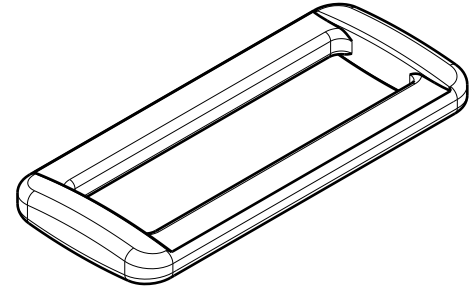
1

D

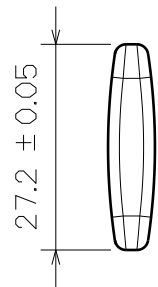
A



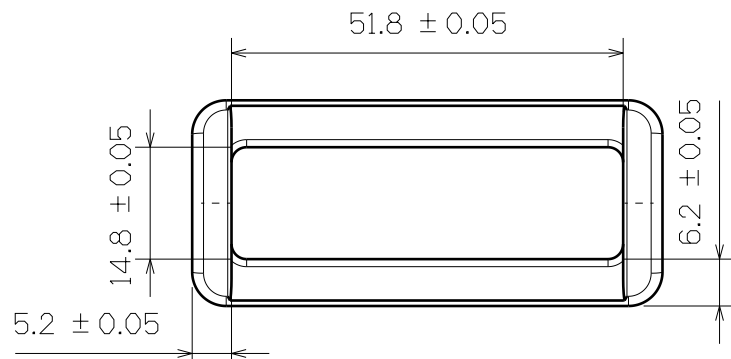
Top View



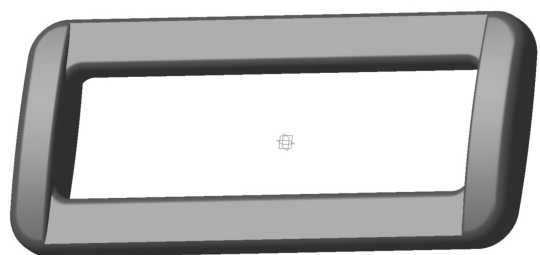
3D View




Right View



SF421-51mm



This drawing is our property. It can't be reproduced or communicated without our written agreement.		 SHIN FANG PLASTIC INDUSTRIAL CO., LTD.			
DRAWN BY		DRAWING TITLE			
DANIEL CHEN		SQUARE LOOP			
DATE		SIZE	DRAWING NUMBER		REV
1998/9/5		A4	SF421-51MM		X
CHECKED BY		SCALE 1:1			
JIMMY CHEN		MATERIAL POM			
DATE		SHEET		1/1	
1998/9		RD			