

D

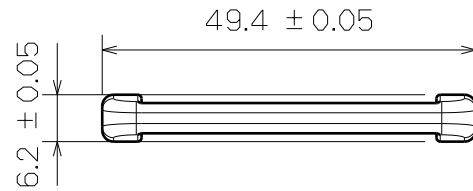
C

B

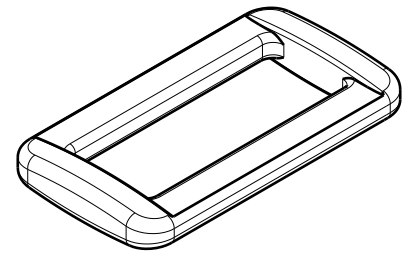
A

4

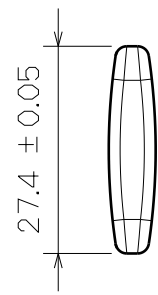
4



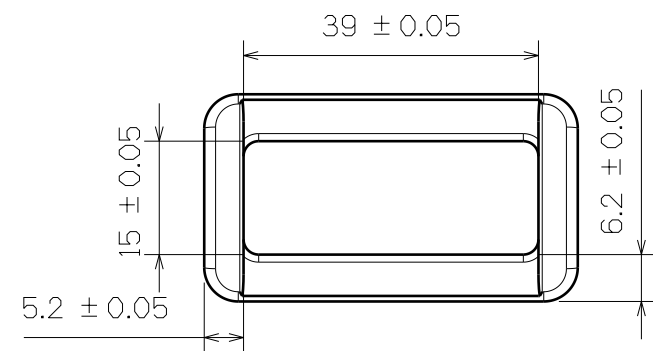
Top View



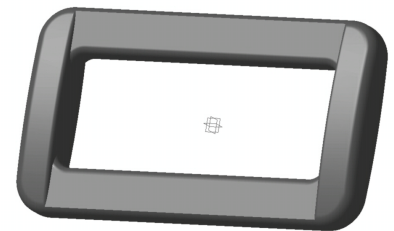
3D View



Right View



SF421-38mm




3

3

2

2

This drawing is our property. It can't be reproduced or communicated without our written agreement.		 SHIN FANG PLASTIC INDUSTRIAL CO., LTD.			
DRAWN BY DANIEL CHEN		DATE 1998/9/5		DRAWING TITLE SQUARE LOOP	
CHECKED BY JIMMY CHEN		DATE 1998/9/7		SIZE A4	REV X
DESIGNED BY RD		DATE 1998/9		DRAWING NUMBER SF421-38mm	
		SCALE 1:1	MATERIAL POM	SHEET 1/1	

D

A

1

1