

D

C

B

A

4

4

3

3

2

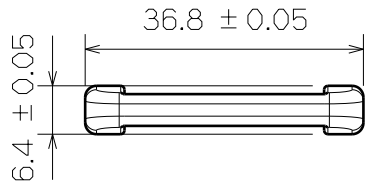
2

1

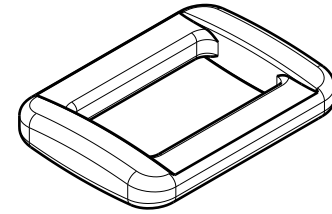
1

D

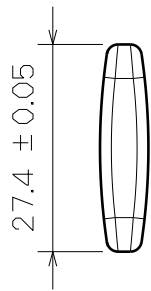
A



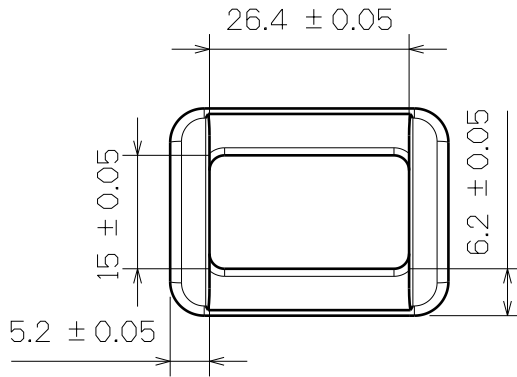
Top View



3D View




Right View



SF421-25mm



This drawing is our property. It can't be reproduced or communicated without our written agreement.		 SHIN FANG PLASTIC INDUSTRIAL CO., LTD.		
DRAWN BY		DRAWING TITLE		
DANIEL CHEN		SQUARE LOOP		
DATE		SIZE	DRAWING NUMBER	REV
1998/9/5		A4	SF421-25MM	X
CHECKED BY		SCALE 1:1		
JIMMY CHEN		MATERIAL POM		
DATE		SHEET		1/1
1998/9/8				
DESIGNED BY				
RD				
DATE				
1998/9				