

D

C

B

A

4

4

3

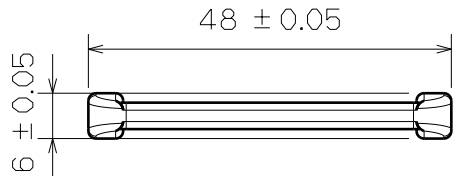
3

2

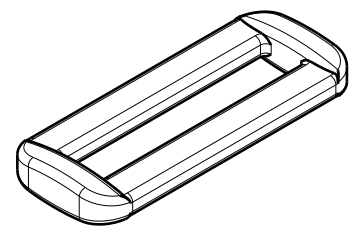
2

1

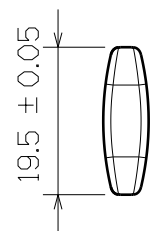
1



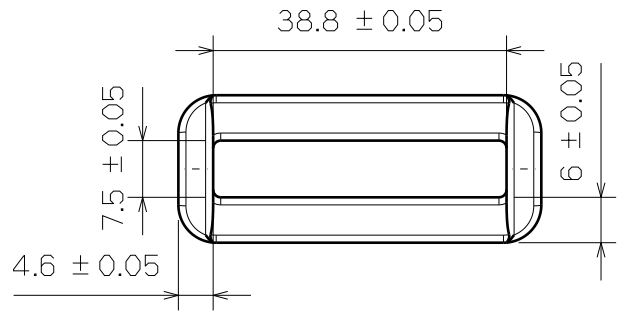
Top View



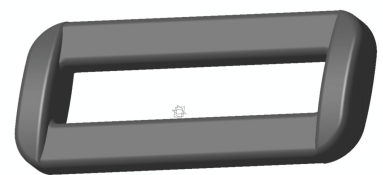
3D View



Right View



SF420-38mm



This drawing is our property.
It can't be reproduced
or communicated without
our written agreement.



**SHIN FANG PLASTIC
INDUSTRIAL CO., LTD.**

DRAWING TITLE				
SQUARE LOOP				
DRAWN BY	DATE	SIZE	DRAWING NUMBER	REV
DANIEL CHEN	1998/7/5	A4	SF420-38MM	X
CHECKED BY	DATE	SCALE	MATERIAL	SHEET
JIMMY CHEN	1998/7/7	1:1	POM	1/1
DESIGNED BY	DATE			
RD	1998/7			

D

A