

D

C

B

A

4

4

3

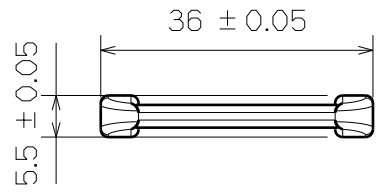
3

2

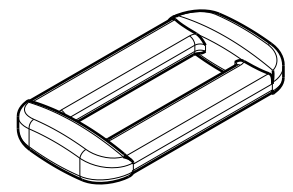
2

1

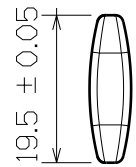
1



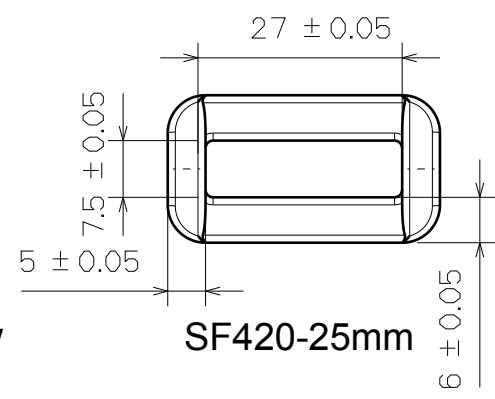
Top View



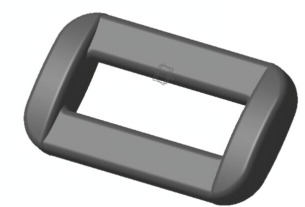
3D View




Right View



SF420-25mm



This drawing is our property. It can't be reproduced or communicated without our written agreement.		 SHIN FANG PLASTIC INDUSTRIAL CO., LTD.			
DRAWN BY DANIEL CHEN		DATE 1998/7/5		DRAWING TITLE SQUARE LOOP	
CHECKED BY JIMMY CHEN		DATE 1998/7/7		SIZE A4	REV X
DESIGNED BY RD		DATE 1998/7		DRAWING NUMBER SF420-25MM	
		SCALE 1:1	MATERIAL POM	SHEET 1/1	

D

A