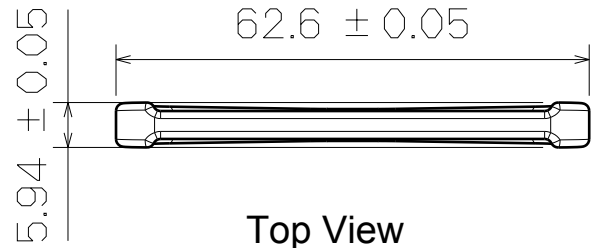


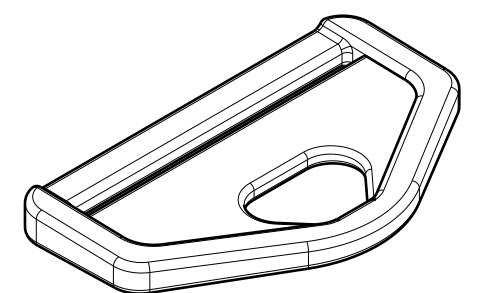
H G F E D C B A

4

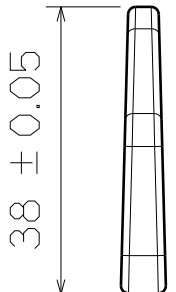
4



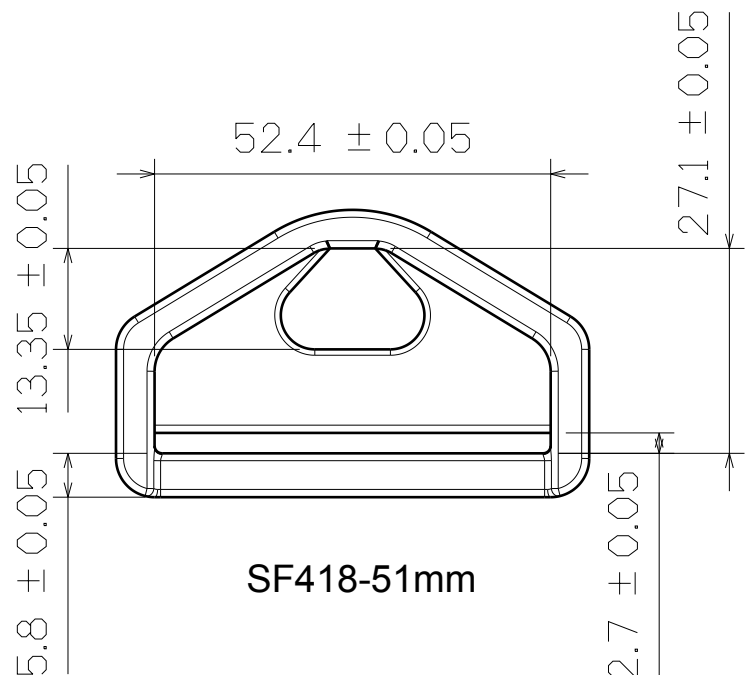
Top View



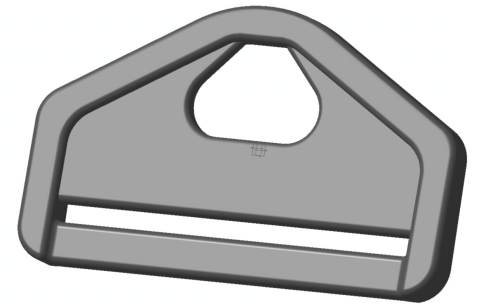
3D View



Right View



SF418-51mm



3

3

2

2

This drawing is our property.  
It can't be reproduced  
or communicated without  
our written agreement.



**SHIN FANG PLASTIC  
INDUSTRIAL CO., LTD.**

DRAWN BY	DATE
<b>BRIAN CHEN</b>	1997/5/2
CHECKED BY	DATE
<b>JIMMY CHEN</b>	1997/5/5
DESIGNED BY	DATE
<b>RD</b>	1997/5

DRAWING TITLE			
<b>SIX ANGLE RING</b>			
SIZE	DRAWING NUMBER	REV	
<b>A3</b>	<b>SF418-51MM</b>	<b>X</b>	
SCALE	1:1	MATERIAL	POM
SHEET	1/1		

H G B A

1

1