

D

C

B

A

4

4

3

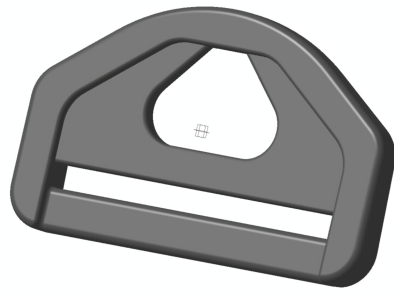
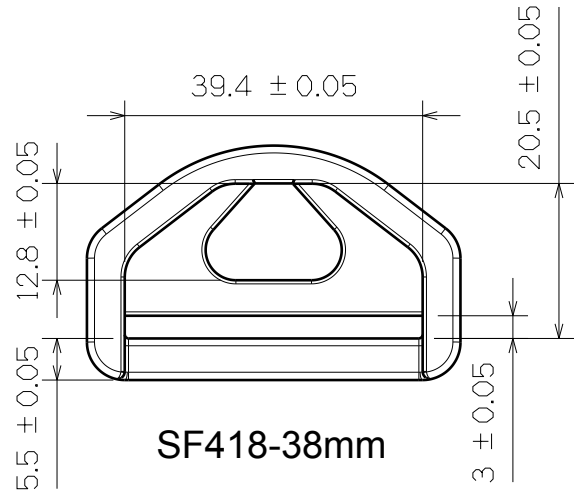
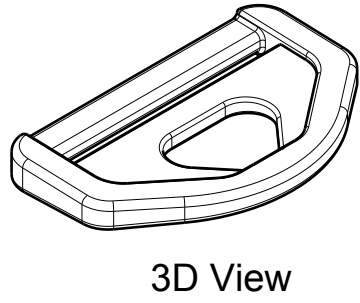
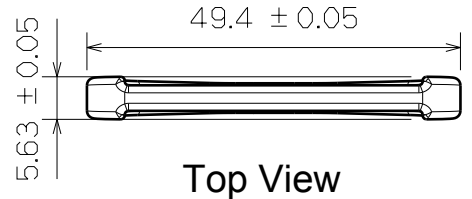
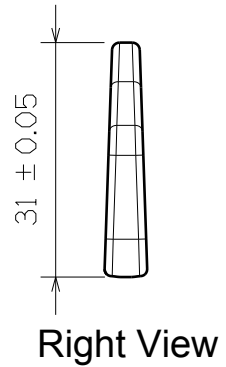
3


2

2

1

1



This drawing is our property. It can't be reproduced or communicated without our written agreement.		 SHIN FANG PLASTIC INDUSTRIAL CO., LTD.		
DRAWN BY		DRAWING TITLE		
BRIAN CHEN		SIX ANGLE RING		
DATE		SIZE	DRAWING NUMBER	REV
1997/5/2		A4	SF418-38MM	X
CHECKED BY		SCALE	MATERIAL	SHEET
JIMMY CHEN		1:1	POM	1/1
DATE				
1997/5/5				
DESIGNED BY				
RD				
DATE				
1997/5				

D

A