

D

C

B

A

4

4

3

3

2

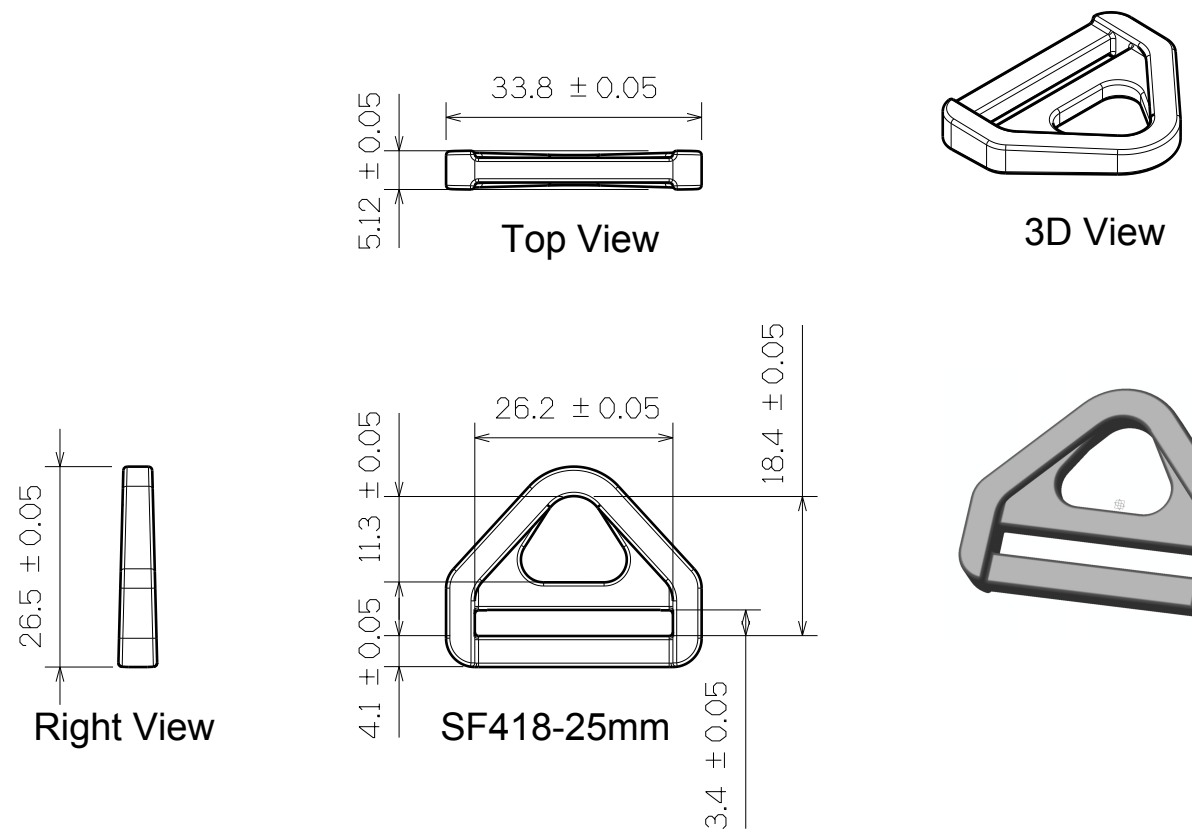
2


1

1

D

A



This drawing is our property. It can't be reproduced or communicated without our written agreement.		 <b>SHIN FANG PLASTIC INDUSTRIAL CO., LTD.</b>		
DRAWN BY <b>DANIEL CHEN</b>		DATE 1997/5/2		DRAWING TITLE <b>SIX ANGLE RING</b>
CHECKED BY <b>JIMMY CHEN</b>		DATE 1997/5/5		
DESIGNED BY <b>RD</b>		DATE 1997/5		SIZE <b>A4</b>
		DRAWING NUMBER <b>SF418-25MM</b>		REV <b>X</b>
		SCALE <b>1:1</b>	MATERIAL <b>POM</b>	SHEET <b>1/1</b>