

D

C

B

A

4

4

3

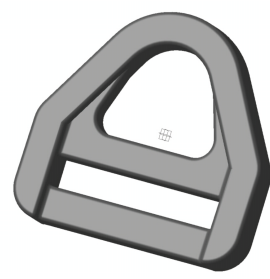
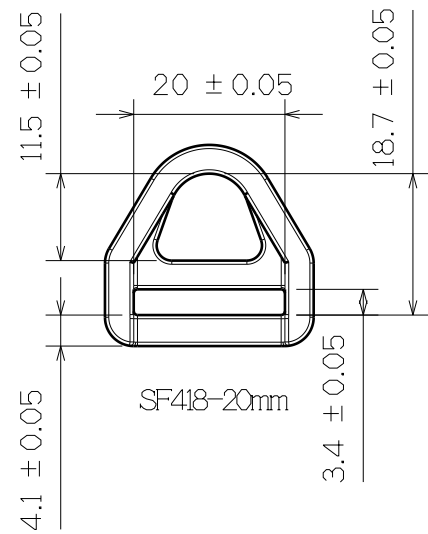
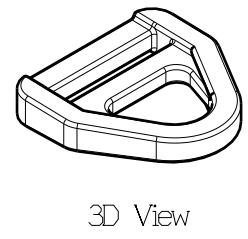
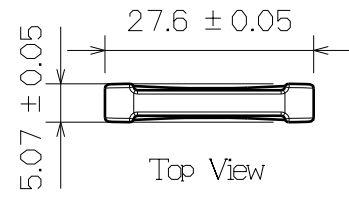
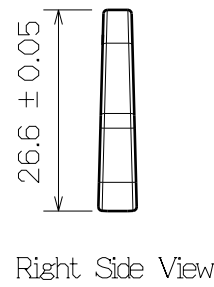
3


2

2

1

1



This drawing is our property. It can't be reproduced or communicated without our written agreement.		 SHIN FANG PLASTIC INDUSTRIAL CO., LTD.			
DRAWN BY		DRAWING TITLE			
DANIEL CHEN		SIX ANGLE RING			
CHECKED BY	DATE	SIZE	DRAWING NUMBER		REV
JIMMY CHEN	1997/5/5	A4	SF418-20MM		X
DESIGNED BY	DATE	SCALE	MATERIAL	SHEET	
RD	1997/5	1:1	POM	1/1	

D

A