

D

C

B

A

4

4

3

3

2

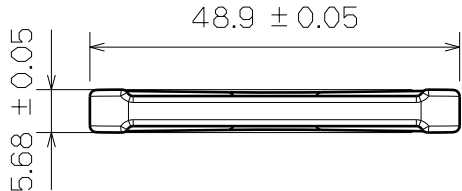
2

1

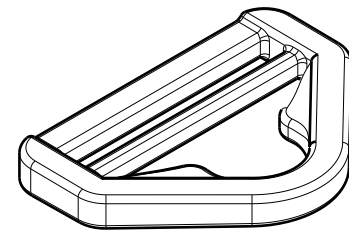
1

D

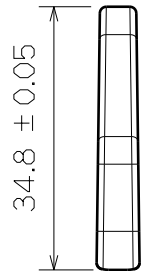
A



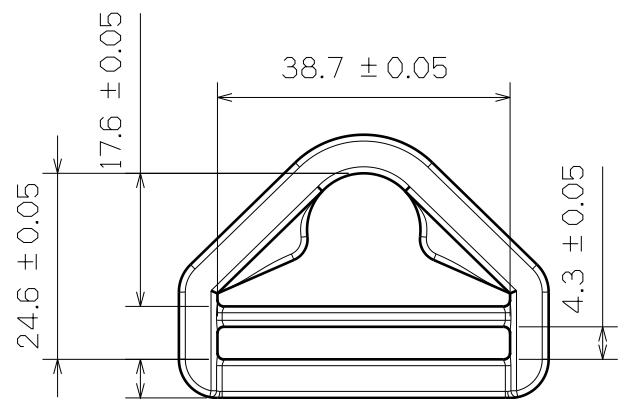
Top View



3D View



Right View



SF417-38mm

5.1 ± 0.05

24.6 ± 0.05

This drawing is our property.
It can't be reproduced
or communicated without
our written agreement.



**SHIN FANG PLASTIC
INDUSTRIAL CO., LTD.**

DRAWING TITLE

SIX ANGLE RING

DRAWN BY	DATE
BRIAN CHEN	2000/8/5
CHECKED BY	DATE
JIMMY CHEN	2000/8/7
DESIGNED BY	DATE
RD	2000/8

SIZE	DRAWING NUMBER			REV
A4	SF417-38MM			X
SCALE	1:1	MATERIAL	POM	SHEET
				1/1