

D

C

B

A

4

4

3

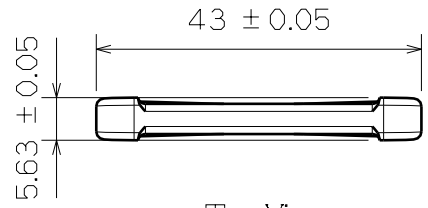
3

2

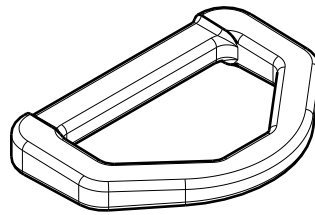
2

1

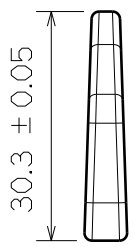
1



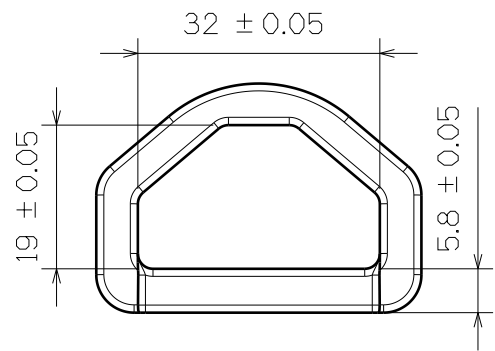
Top View



3D View




Right Side View



SF415-32mm



This drawing is our property. It can't be reproduced or communicated without our written agreement.		 SHIN FANG PLASTIC INDUSTRIAL CO., LTD.			
DRAWN BY DANIEL CHEN		DATE 2000/7/8		DRAWING TITLE SIX ANGLE RING	
CHECKED BY JIMMY CHEN		DATE 2000/7/9		SIZE A4	REV X
DESIGNED BY RD		DATE 2000/7		DRAWING NUMBER SF415-32MM	
		SCALE 1:1	MATERIAL POM	SHEET 1/1	

D

A