

D

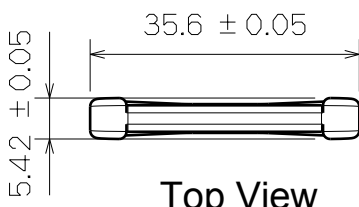
C

B

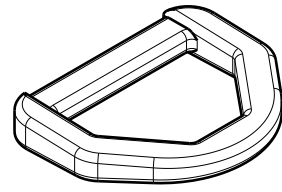
A

4

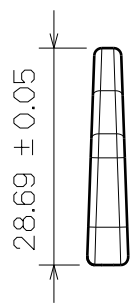
4



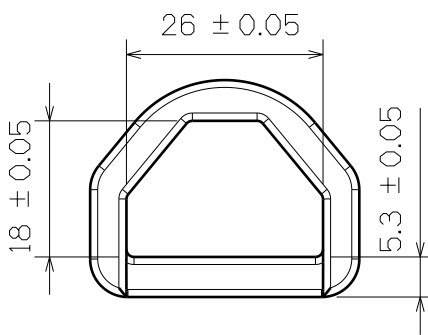
Top View



3D View



Right View



SF415-25mm



3

3

2

2

1

1

This drawing is our property.
It can't be reproduced
or communicated without
our written agreement.



DRAWN BY	DATE
DANIEL CHEN	2000/7/8
CHECKED BY	DATE
JIMMY CHEN	2000/7/9
DESIGNED BY	DATE
RD	2000/7

DRAWING TITLE			
SIX ANGLE RING			
SIZE	DRAWING NUMBER		REV
A4	SF415-25MM		X
SCALE	1:1	MATERIAL	POM
SHEET		1/1	

D

A