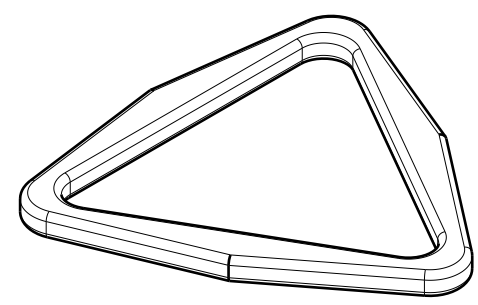
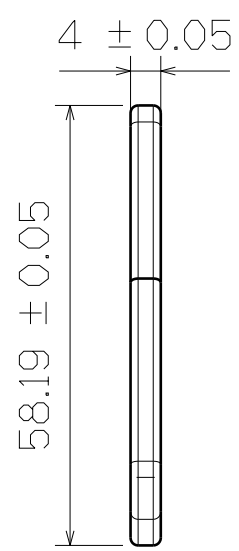


61.53 ± 0.05

Top View



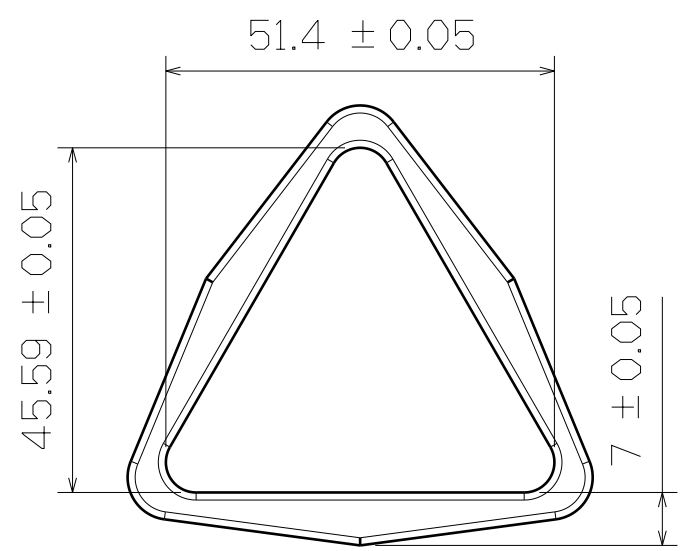
3D View



58.19 ± 0.05

4 ± 0.05

Right View



51.4 ± 0.05

45.59 ± 0.05

7 ± 0.05

SF414-51mm



This drawing is our property.
It can't be reproduced
or communicated without
our written agreement.



**SHIN FANG PLASTIC
INDUSTRIAL CO., LTD.**

DRAWN BY		DATE	DRAWING TITLE		
DANIEL CHEN		2000/6/5	TRIANGULAR RING		
CHECKED BY		DATE	SIZE	DRAWING NUMBER	REV
JIMMY CHEN		2000/6/7	A3	SF414-51MM	X
DESIGNED BY		DATE	SCALE	MATERIAL	SHEET
RD		2000/6	1:1	POM	1/1