

H

G

F

E

D

C

B

A

4

4

3

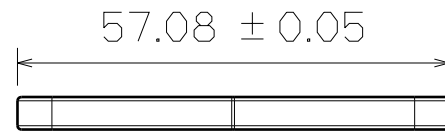
3

2

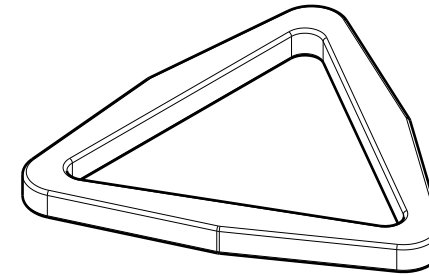
2

1

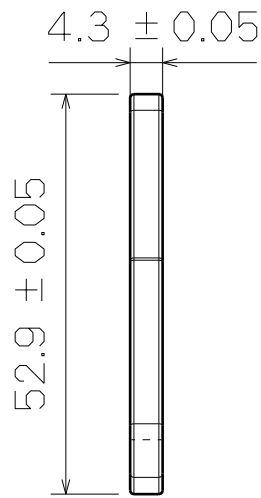
1



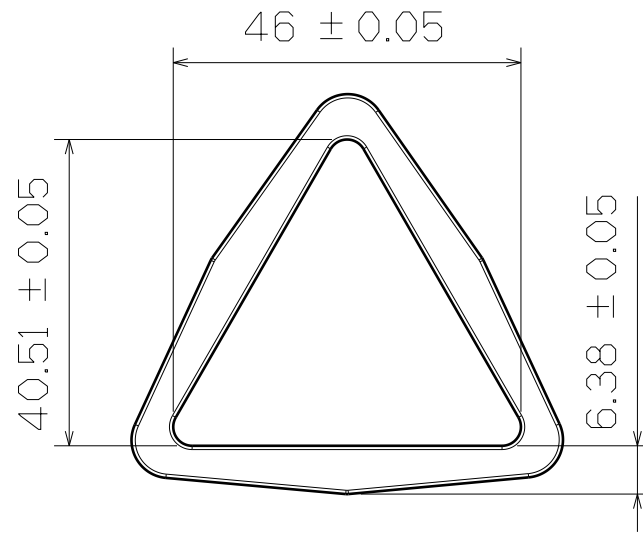
Top View



3D View



Right View



SF414-45mm



This drawing is our property.  
It can't be reproduced  
or communicated without  
our written agreement.



**SHIN FANG PLASTIC  
INDUSTRIAL CO., LTD.**

DRAWING TITLE

DRAWN BY	DATE
DANIEL CHEN	2000/6/4
CHECKED BY	DATE
JIMMY CHEN	2000/6/7
DESIGNED BY	DATE
RD	2000/6

DRAWING NUMBER		REV
A3		X
SCALE	MATERIAL	SHEET
1:1	POM	1/1

TRIANGULAR RING

SF414-45MM

H

G

B

A