

D

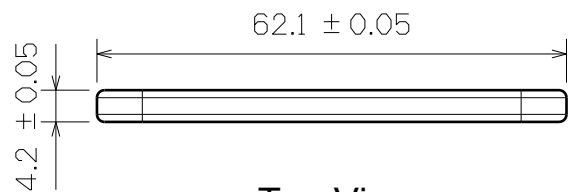
C

B

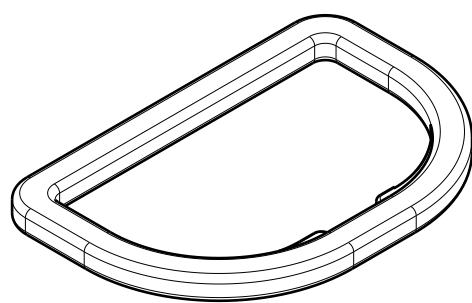
A

4

4



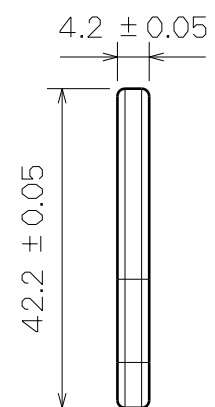
Top View



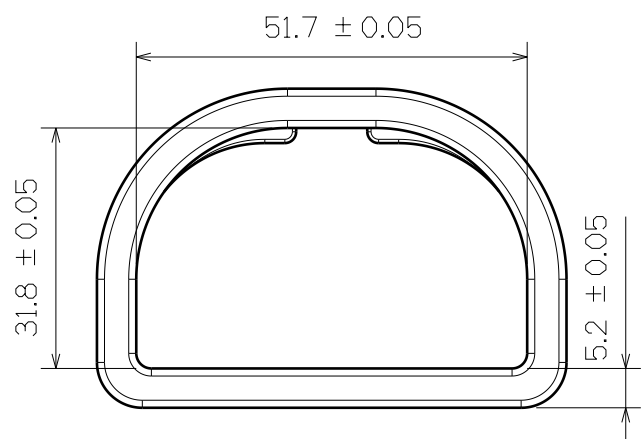
3D View

3

3



Right View



SF413-51mm



2

2

1

1

This drawing is our property.
It can't be reproduced
or communicated without
our written agreement.



**SHIN FANG PLASTIC
INDUSTRIAL CO., LTD.**

DRAWN BY DANIEL CHEN	DATE 2000/5/14
CHECKED BY JIMMY CHEN	DATE 2000/5/17
DESIGNED BY RD	DATE 2000/5

DRAWING TITLE			
D-RING			
SIZE A4	DRAWING NUMBER SF413-51MM		REV X
SCALE 1:1	MATERIAL POM	SHEET 1/1	

D

A