

D

C

B

A

4

4

3

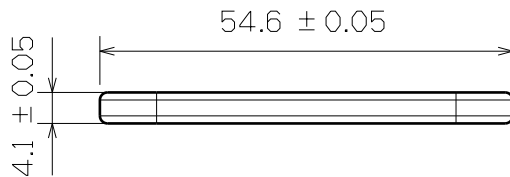
3

2

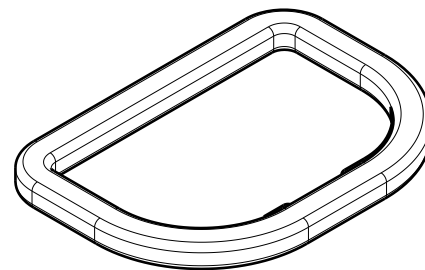
2

1

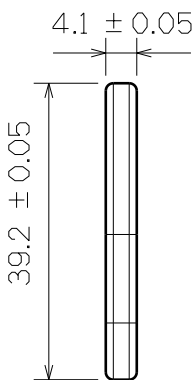
1



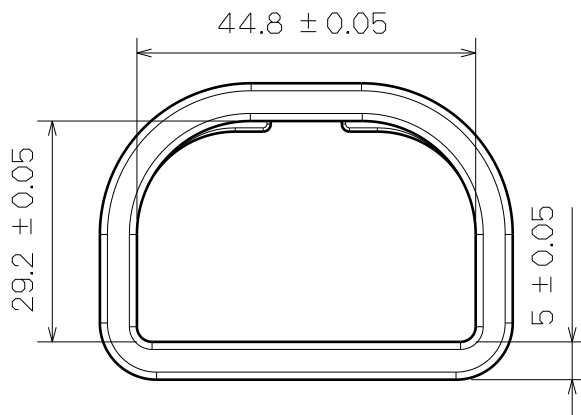
Top View



3D View




Right View



SF413-45mm



This drawing is our property. It can't be reproduced or communicated without our written agreement.		 SHIN FANG PLASTIC INDUSTRIAL CO., LTD.		
DRAWN BY		DRAWING TITLE		
BRIAN CHEN		D-RING		
DATE		SIZE	DRAWING NUMBER	REV
2000/5/14		A4	SF413-45MM	X
CHECKED BY		SCALE 1:1		MATERIAL POM
JIMMY CHEN		SHEET		1/1
DATE				
2000/5/17				
DESIGNED BY				
RD				
DATE				
2000/5				

D

A