

D

C

B

A

4

4

3

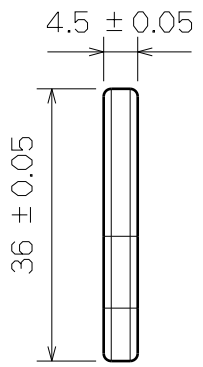
3

2

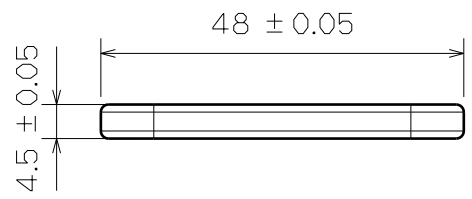
2

1

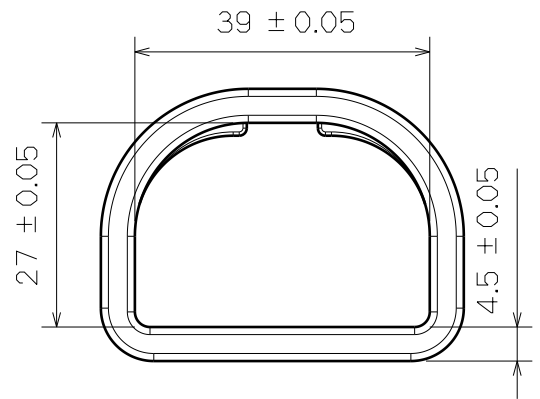
1



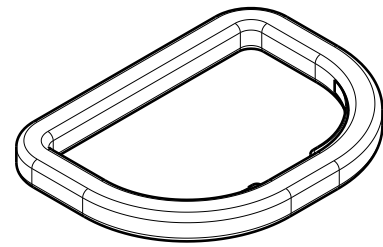
Right View



Top View



SF413-38mm



3D View



This drawing is our property.
It can't be reproduced
or communicated without
our written agreement.



DRAWING TITLE				
D-RING				
DRAWN BY	DATE	SIZE	DRAWING NUMBER	REV
DANIEL CHEN	2000/5/14	A4	SF413-38MM	X
CHECKED BY	DATE	SCALE	MATERIAL	SHEET
JIMMY CHEN	2000/5/17	1:1	POM	1/1
DESIGNED BY	DATE			
RD	2000/5			

D

A