

D

C

B

A

4

4

3

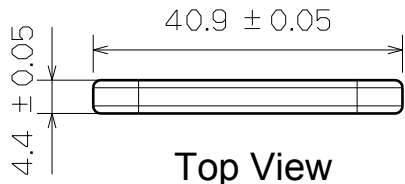
3

2

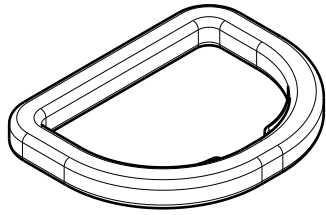
2

1

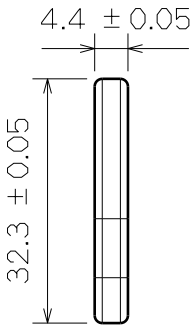
1



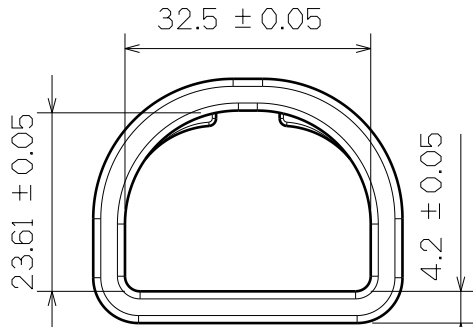
Top View



3D View




Right View



SF413-32mm



This drawing is our property. It can't be reproduced or communicated without our written agreement.		 <b>SHIN FANG PLASTIC INDUSTRIAL CO., LTD.</b>			
DRAWN BY		DRAWING TITLE			
BRIAN CHEN		D-RING			
DATE		SIZE	DRAWING NUMBER		REV
2000/5/14		A4	SF413-32MM		X
CHECKED BY		SCALE		MATERIAL	SHEET
JIMMY CHEN		1:1		POM	1/1
DATE					
2000/5/17					
DESIGNED BY					
RD					
DATE					
2000/5					

D

A