

D

C

B

A

4

4

3

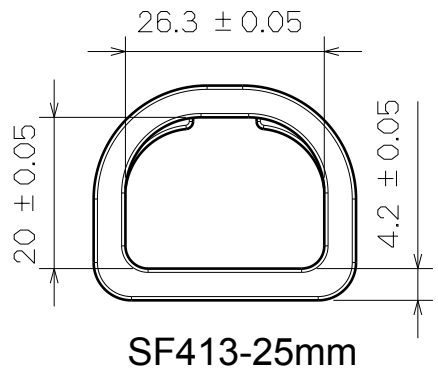
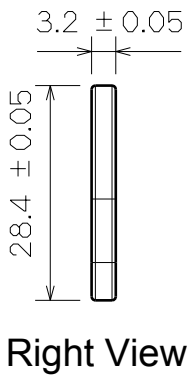
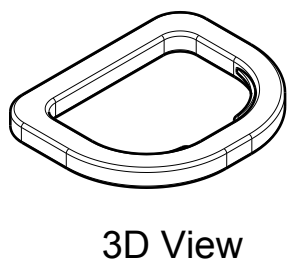
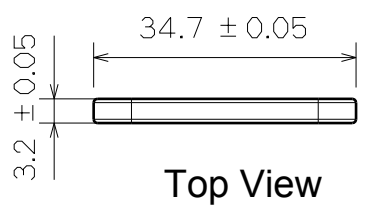
3


2

2

1

1



This drawing is our property. It can't be reproduced or communicated without our written agreement.		 <b>SHIN FANG PLASTIC INDUSTRIAL CO., LTD.</b>			
DRAWN BY		DRAWING TITLE			
BRIAN CHEN		D-RING			
DATE		SIZE		DRAWING NUMBER	
2000/5/14		A4		SF413-25MM	
CHECKED BY		DATE		REV	
JIMMY CHEN		2000/5/17		X	
DESIGNED BY		DATE		SCALE	
RD		2000/5		1:1	
		MATERIAL		SHEET	
		POM		1/1	

D

A