

D

C

B

A

4

4

3

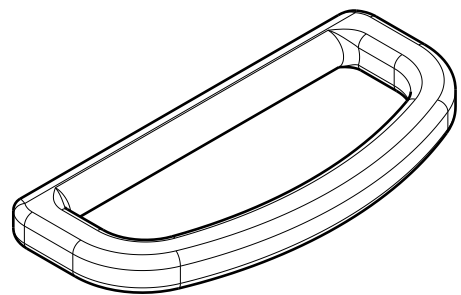
3

2

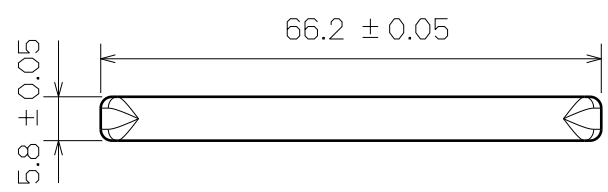
2

1

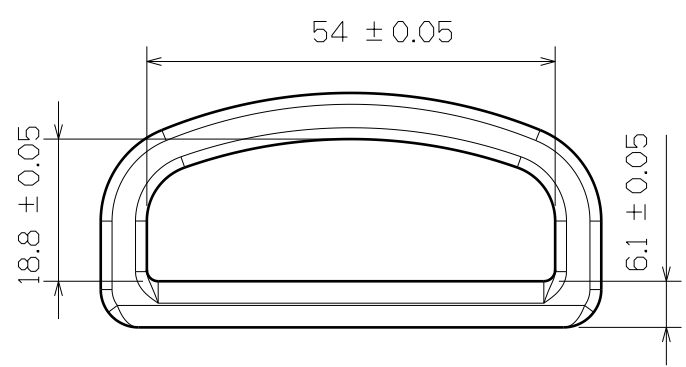
1



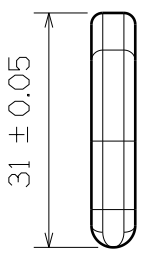
3D View



Top View



SF411-51mm



Right View

This drawing is our property.  
It can't be reproduced  
or communicated without  
our written agreement.



**SHIN FANG PLASTIC  
INDUSTRIAL CO., LTD.**

DRAWING TITLE				
<b>D-RING</b>				
DRAWN BY	DATE	SIZE	DRAWING NUMBER	REV
<b>BRIAN CHEN</b>	2000/5/14	<b>A4</b>	<b>SF411-51MM</b>	<b>X</b>
CHECKED BY	DATE	SCALE	MATERIAL	SHEET
<b>JIMMY CHEN</b>	2000/5/17	<b>1:1</b>	<b>POM</b>	<b>1/1</b>
DESIGNED BY	DATE			
<b>RD</b>	2000/5			

D

A