

D

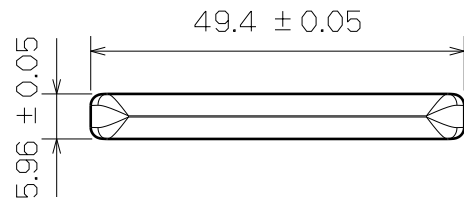
C

B

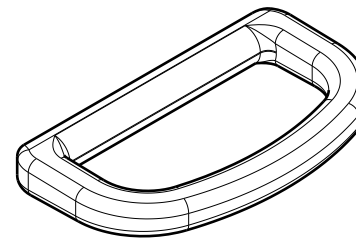
A

4

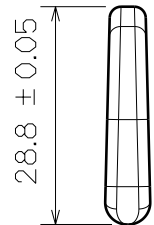
4



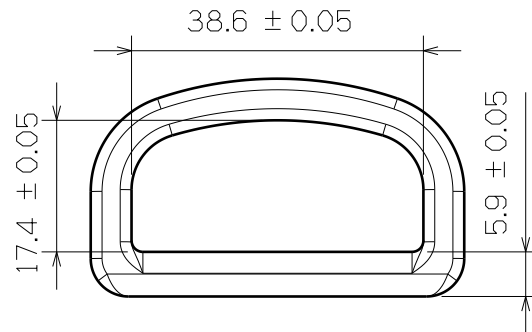
Top view



3D View



Right View



SF411-38mm



3

3

2

2

1

1

This drawing is our property.
It can't be reproduced
or communicated without
our written agreement.



**SHIN FANG PLASTIC
INDUSTRIAL CO., LTD.**

DRAWING TITLE

D-RING

DRAWN BY

BRIAN CHEN

DATE

2000/5/11

CHECKED BY

JIMMY CHEN

DATE

2000/5/13

DESIGNED BY

RD

DATE

2000/5

SIZE

A4

DRAWING NUMBER

SF411-38MM

REV

X

SCALE 1:1

MATERIAL POM

SHEET

1/1

D

A