

D

C

B

A

4

4

3

3

2

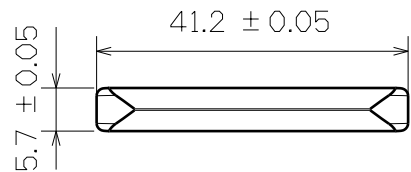
2

1

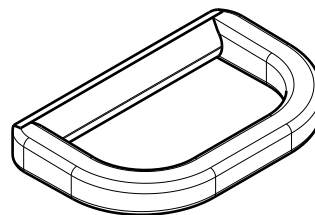
1

D

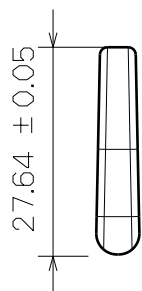
A



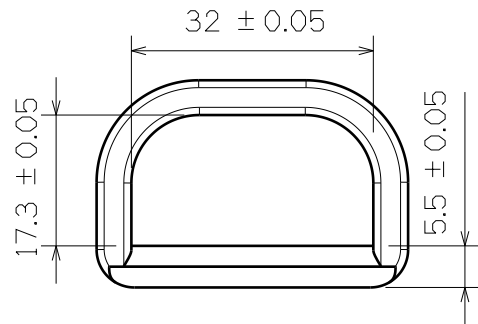
Top View



3D View




Right View



SF411-32mm



This drawing is our property. It can't be reproduced or communicated without our written agreement.		 SHIN FANG PLASTIC INDUSTRIAL CO., LTD.			
DRAWN BY		DRAWING TITLE			
BRIAN CHEN		D-RING			
DATE		SIZE		DRAWING NUMBER	
2000/5/5		A4		SF411-32MM	
CHECKED BY		DATE		REV	
JIMMY CHEN		2000/5/7		X	
DESIGNED BY		DATE		SCALE	
RD		2000/5		1:1	
		MATERIAL		SHEET	
		POM		1/1	