

D

C

B

A

4

4

3

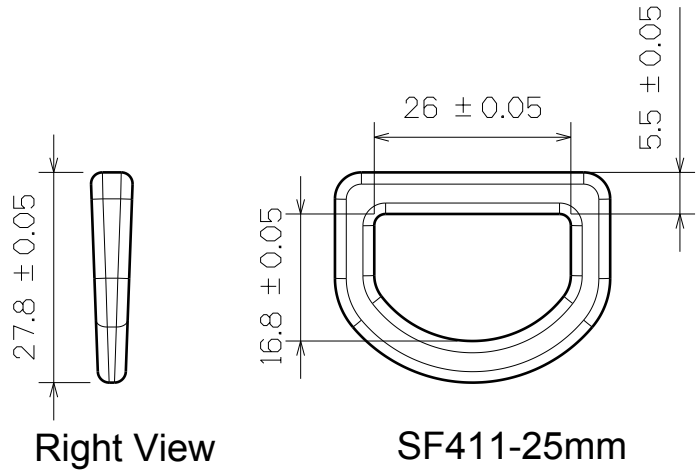
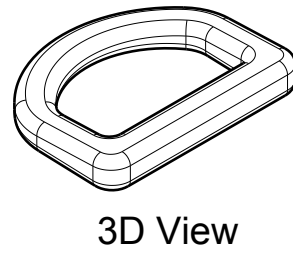
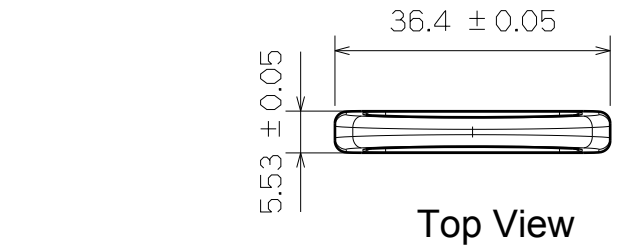
3

2

2

1

1



This drawing is our property.
It can't be reproduced
or communicated without
our written agreement.



DRAWN BY DANIEL CHEN	DATE 2000/5/5
CHECKED BY JIMMY CHEN	DATE 2000/5/7
DESIGNED BY RD	DATE 2000/5

DRAWING TITLE			
D-RING			
SIZE A4	DRAWING NUMBER SF411-25MM		REV X
SCALE 1:1	MATERIAL POM	SHEET 1/1	

D

A