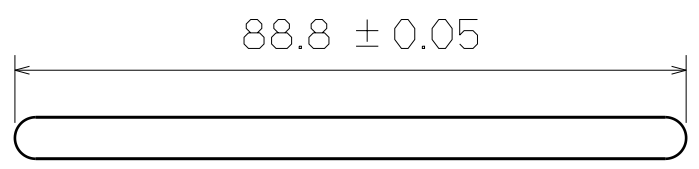


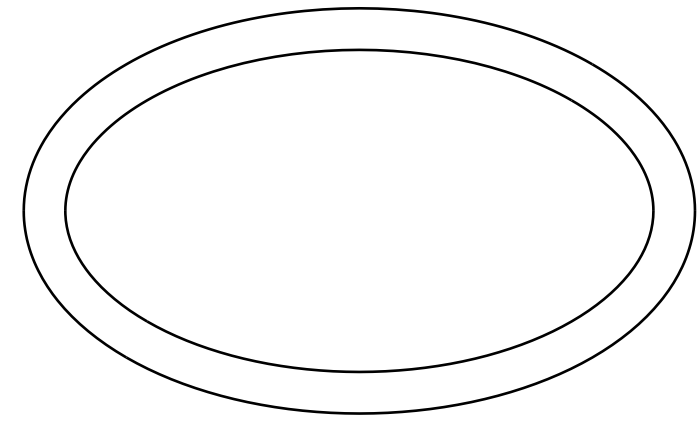
H G F E D C B A

4

4



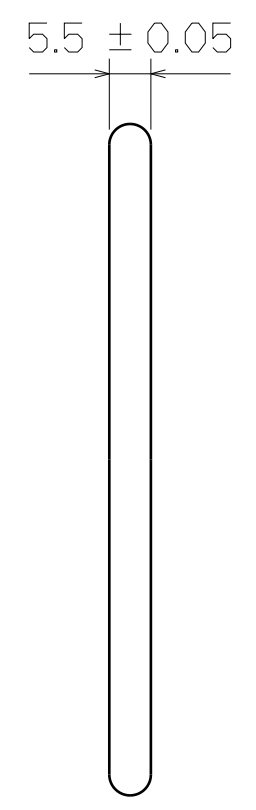
Top View



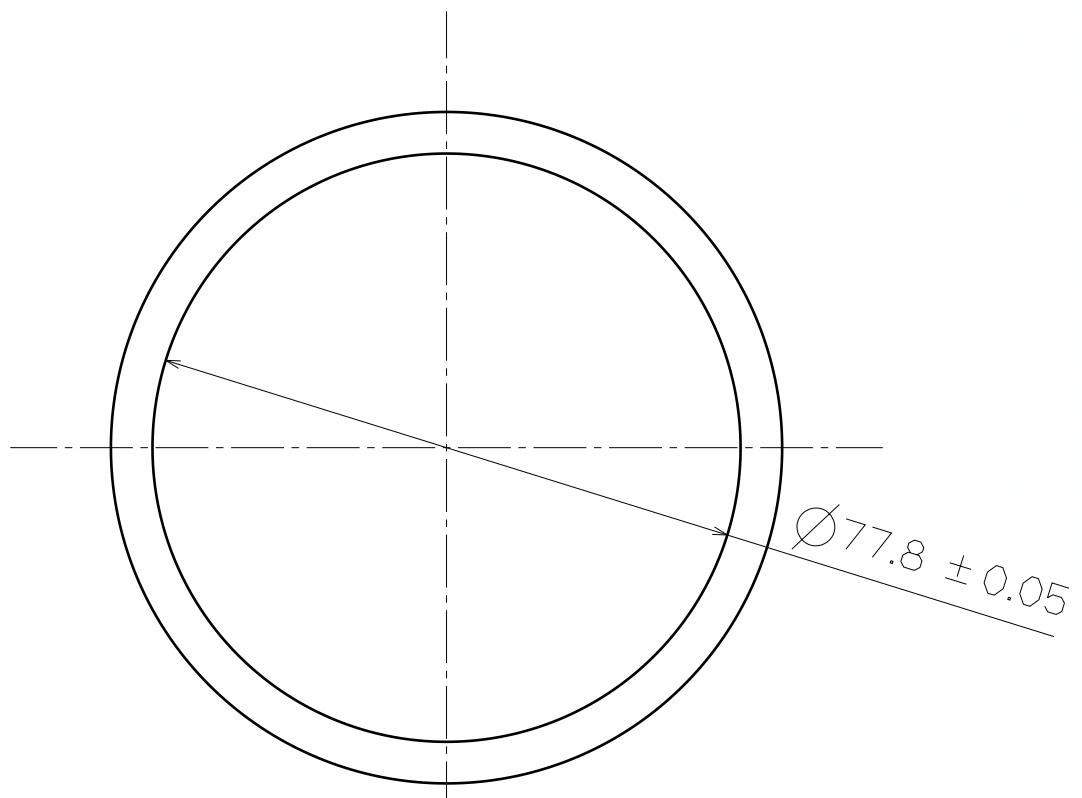
3D View

3

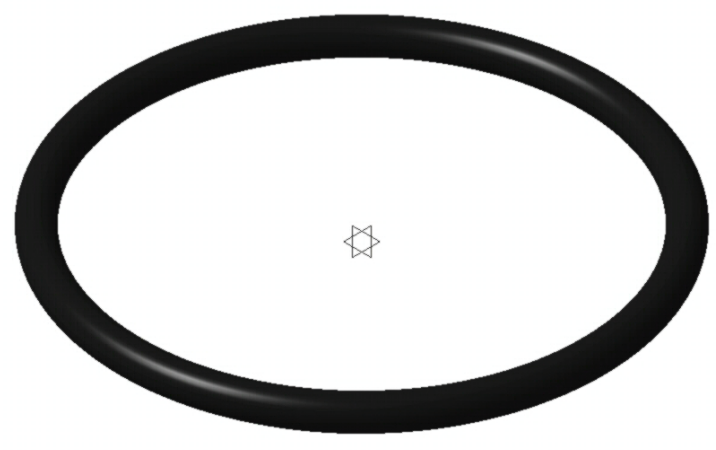
3



Right View




SF410-77mm



2

2

This drawing is our property. It can't be reproduced or communicated without our written agreement.		 <b>SHIN FANG PLASTIC INDUSTRIAL CO., LTD.</b>			
DRAWN BY <b>DANIEL CHEN</b>		DATE 2000/4/5		DRAWING TITLE <b>O-RING</b>	
CHECKED BY <b>JIMMY CHEN</b>		DATE 2000/4/7		SIZE <b>A3</b>	REV <b>X</b>
DESIGNED BY <b>RD</b>		DATE 2000/4		SCALE <b>1:1</b>	MATERIAL <b>POM</b>
				SHEET <b>1/1</b>	

H G B A

1

1