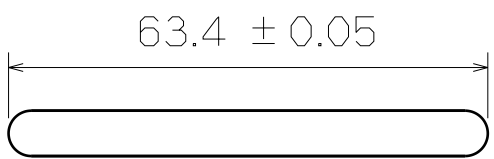


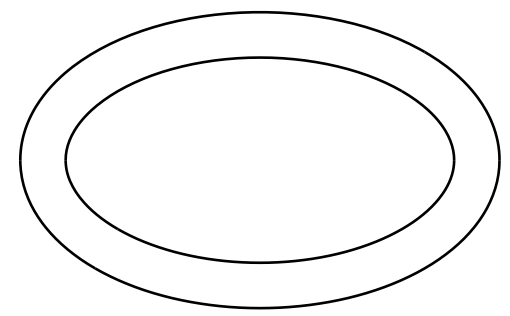
H G F E D C B A

4

4

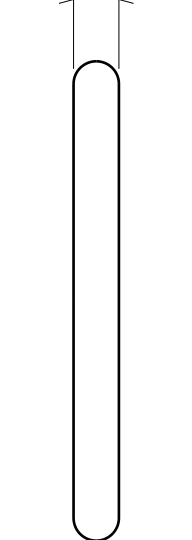


Top View

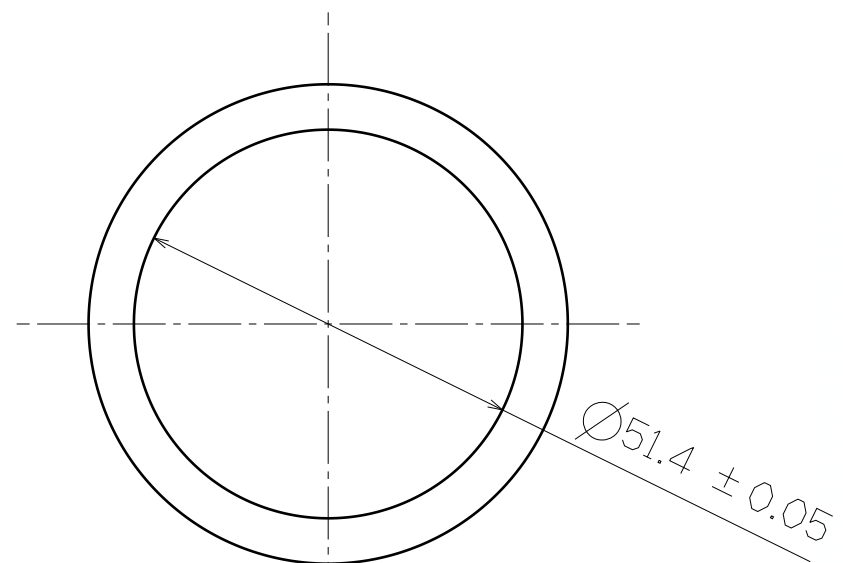


3D View

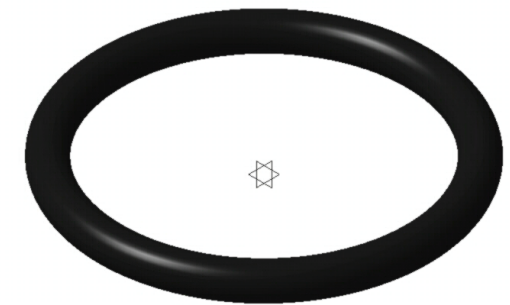
6 ± 0.05



Right View



SF410-51mm



3

3

2

2

1

1

This drawing is our property.
It can't be reproduced
or communicated without
our written agreement.



**SHIN FANG PLASTIC
INDUSTRIAL CO., LTD.**

| | |
|--------------------|----------|
| DRAWN BY | DATE |
| DANIEL CHEN | 2000/4/5 |
| CHECKED BY | DATE |
| JIMMY CHEN | 2000/4/7 |
| DESIGNED BY | DATE |
| RD | 2000/4 |

| | | | | |
|---------------|-------------------|----------|-----|------------|
| DRAWING TITLE | | | | |
| O-RING | | | | |
| SIZE | DRAWING NUMBER | | | REV |
| A3 | SF410-51MM | | | X |
| SCALE | 1:1 | MATERIAL | POM | SHEET |
| | | | | 1/1 |

H G F E D C B A