

D

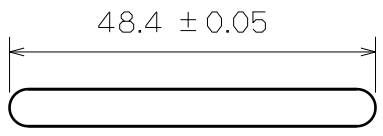
C

B

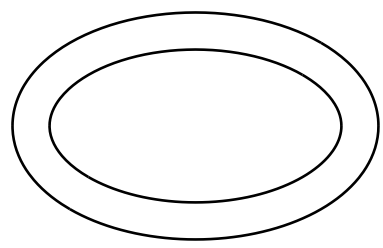
A

4

4

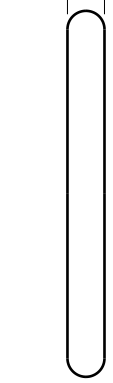


Top View

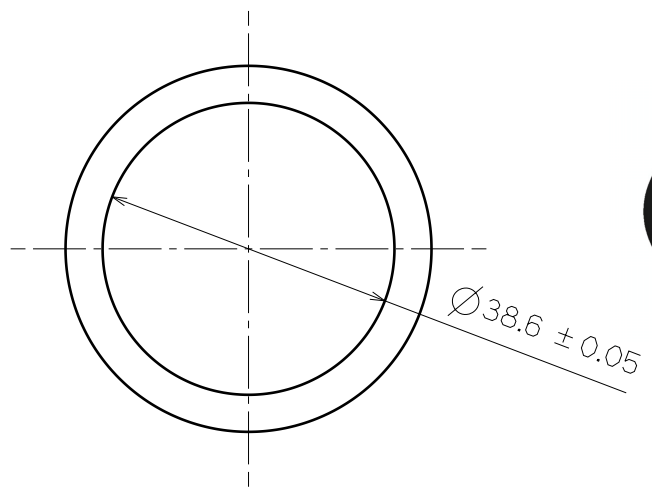


3D View

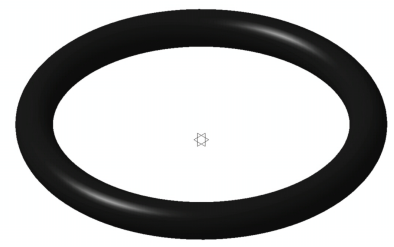
4.9 ± 0.05



Right View



SF410-38mm



3

3

2


2

1

1

D

A

| | | | | | |
|---|--|---|-------------------|------------|------------|
| This drawing is our property. It can't be reproduced or communicated without our written agreement. | |  SHIN FANG PLASTIC INDUSTRIAL CO., LTD. | | | |
| DRAWN BY | | DRAWING TITLE | | | |
| DANIEL CHEN | | O-RING | | | |
| DATE | | SIZE | DRAWING NUMBER | | REV |
| 2000/4/5 | | A4 | SF410-38MM | | X |
| CHECKED BY | | SCALE | | MATERIAL | SHEET |
| JIMMY CHEN | | 1:1 | | POM | 1/1 |
| DATE | | | | | |
| 2000/4/7 | | | | | |
| DESIGNED BY | | | | | |
| RD | | | | | |
| DATE | | | | | |
| 2000/4 | | | | | |