

D

C

B

A

4

4

3

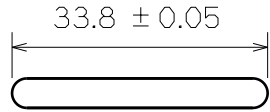
3

2

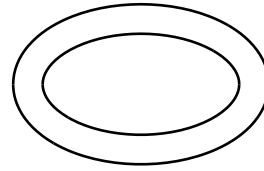
2

1

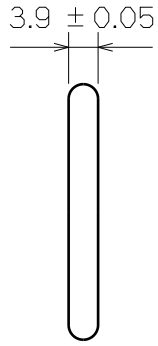
1



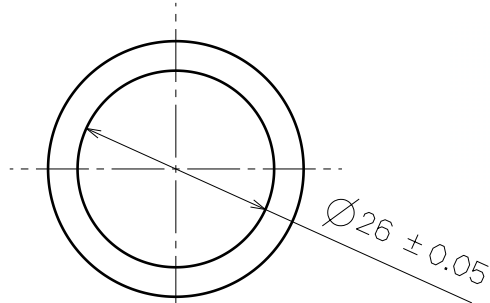
Top View



3D View




Right View



SF410-25mm



This drawing is our property. It can't be reproduced or communicated without our written agreement.		 SHIN FANG PLASTIC INDUSTRIAL CO., LTD.			
DRAWN BY DANIEL CHEN		DATE 2000/4/5		DRAWING TITLE O-RING	
CHECKED BY JIMMY CHEN		DATE 2000/4/7		SIZE A4	REV X
DESIGNED BY RD		DATE 2000/4		DRAWING NUMBER SF410-25mm	
		SCALE 1:1	MATERIAL POM	SHEET 1/1	

D

A