

D

C

B

A

4

4

3

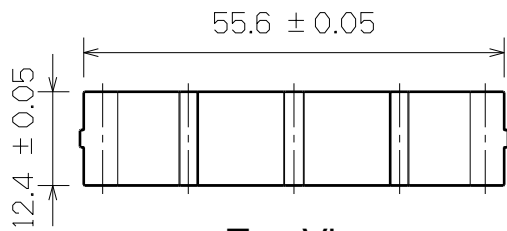
3

2

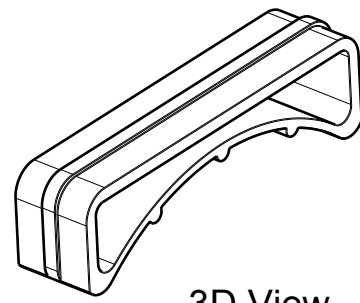
2

1

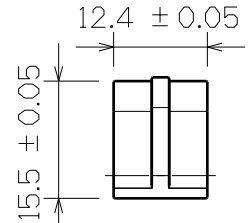
1



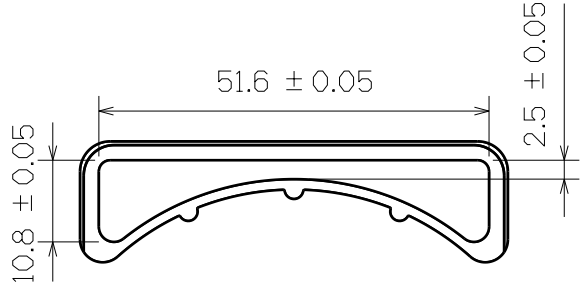
Top View



3D View




Right View



SF406-51mm



This drawing is our property. It can't be reproduced or communicated without our written agreement.		 SHIN FANG PLASTIC INDUSTRIAL CO., LTD.			
DRAWN BY		DRAWING TITLE			
DANIEL CHEN		BELT LOOP			
DATE		SIZE	DRAWING NUMBER		REV
2000/8/9		A4	SF406-51MM		X
CHECKED BY		SCALE		MATERIAL	SHEET
JIMMY CHEN		1:1		POM	1/1
DATE					
2000/8/11					
DESIGNED BY					
RD					
DATE					
2000/8					

D

A