

D

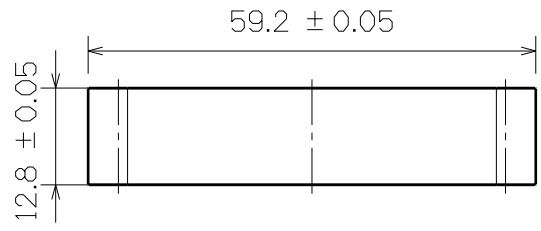
C

B

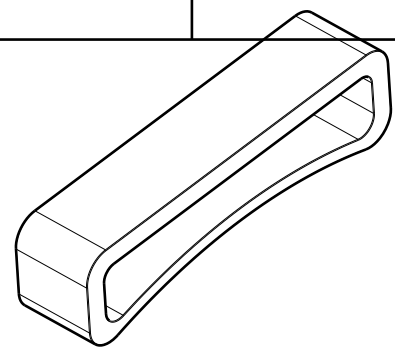
A

4

4



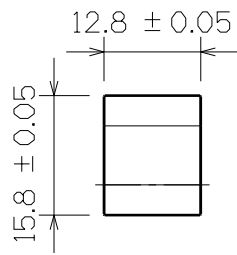
Top View



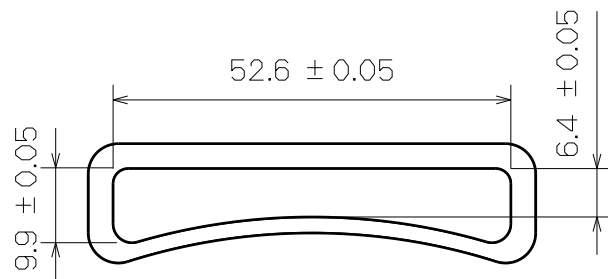
3D View

3

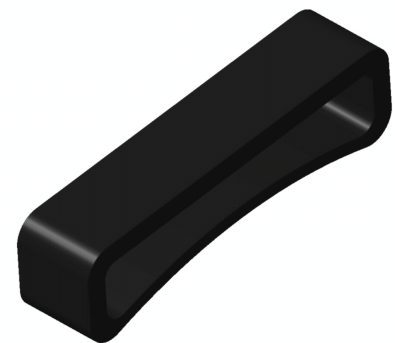
3



Right View



SF406-1-51mm



2

2

1

1

This drawing is our property.
It can't be reproduced
or communicated without
our written agreement.



**SHIN FANG PLASTIC
INDUSTRIAL CO., LTD.**

DRAWN BY	DATE
DANIEL CHEN	2000/8/7
CHECKED BY	DATE
JIMMY CHEN	2000/8/9
DESIGNED BY	DATE
RD	2000/8

DRAWING TITLE			
BELT LOOP			
SIZE	DRAWING NUMBER		REV
A4	SF406-1-51MM		X
SCALE	MATERIAL	SHEET	1/1
1:1	POM		

D

A