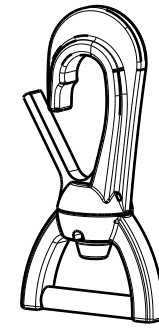


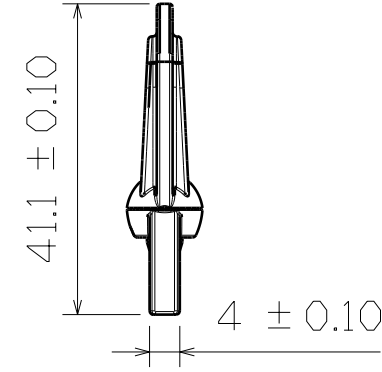
H G F E D C B A



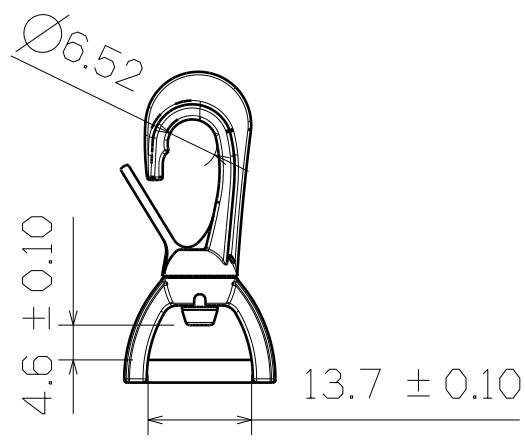
TOP VIEW



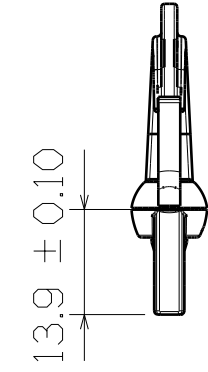
3D VIEW



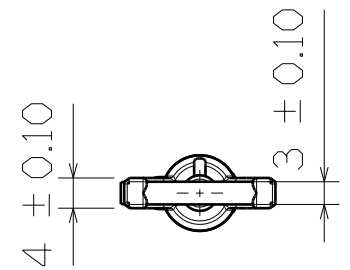
RIGHT VIEW




SF352



LEFT VIEW



BOTTOM VIEW

This drawing is our property. It can't be reproduced or communicated without our written agreement.		 SHIN FANG PLASTIC INDUSTRIAL CO., LTD.			
DRAWN BY DANIEL CHEN		DATE 2011/5		DRAWING TITLE SWIVEL HOOK	
CHECKED BY JIMMY CHEN		DATE 2011/5		SIZE A3	REV X
DESIGNED BY RD		DATE 2010/12		SCALE 1:1	MATERIAL POM
				SHEET 1/1	

H G B A