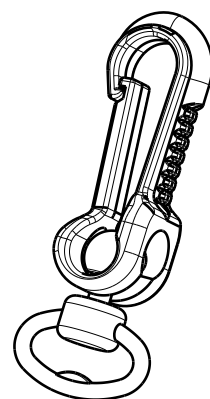
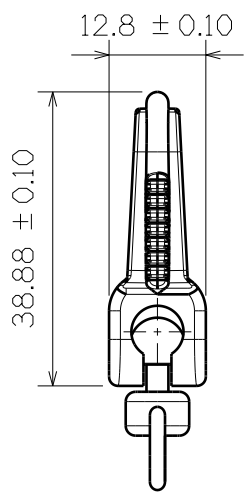


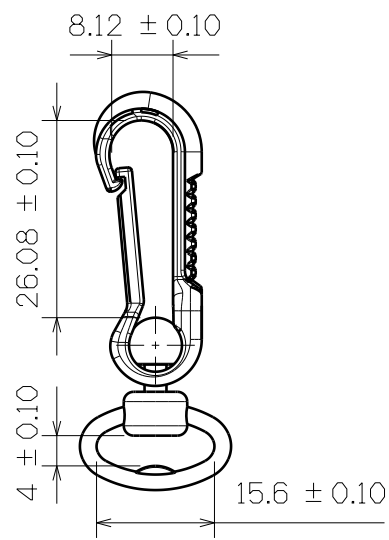
Top View



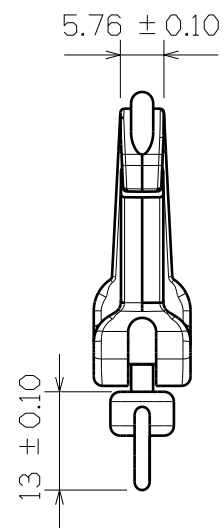
3D View



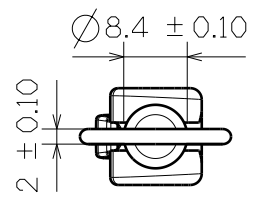
Right View




SF351-1



Left View



Bottom View

This drawing is our property. It can't be reproduced or communicated without our written agreement.		 欣芳塑膠工業有限公司 SHIN FANG PLASTIC INDUSTRIAL CO.,LTD.			
DRAWN BY		DATE		DRAWING TITLE	
DANIEL CHEN		2010/1/25		SWIVEL HOOK	
CHECKED BY		DATE		SIZE	DRAWING NUMBER
JIMMY CHEN		2010/1/25		A3	SF351-1
DESIGNED BY		DATE		SCALE	MATERIAL
RD		2010/1		1:1	POM
				SHEET	REV
				1/1	X