

H

G

F

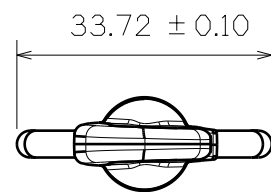
E

D

C

B

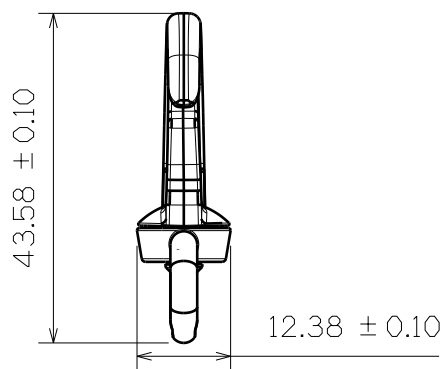
A



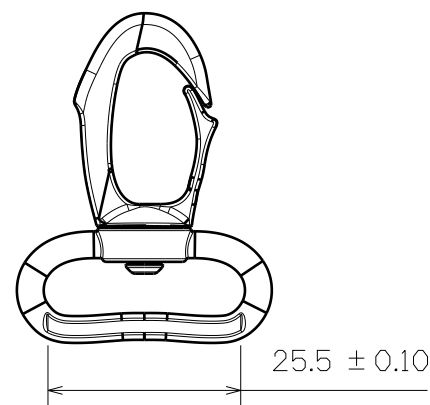
Top View



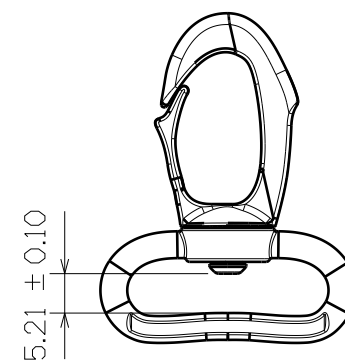
3D View



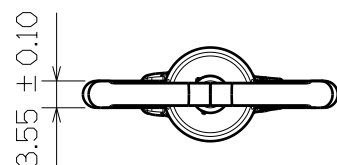
Right Side View



SF349-25MM



Back View



Bottom View

This drawing is our property.
It can't be reproduced
or communicated without
our written agreement.



DRAWING TITLE

DRAWN BY	DATE
BRIAN CHEN	2009/5/16
CHECKED BY	DATE
JIMMY CHEN	2009/5/17
DESIGNED BY	DATE
RD	XXX

SMALL HOOK		REV
SIZE	DRAWING NUMBER	X
A3	SF349-25MM	
SCALE	1:1	MATERIAL PA SHEET 1/1

4

4

3

3

2

2

1

1

H

G

B

A