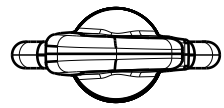


H G F E D C B A

4

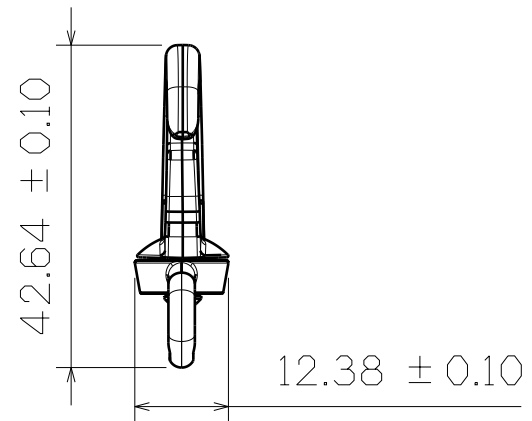
4



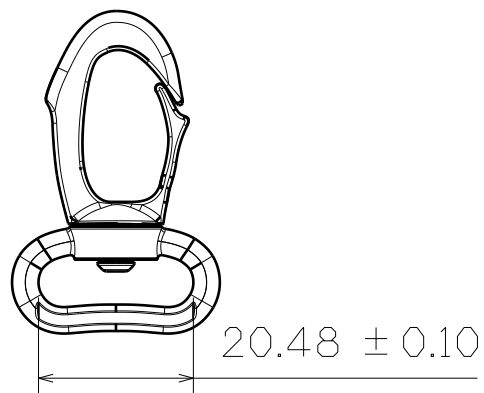
Top View



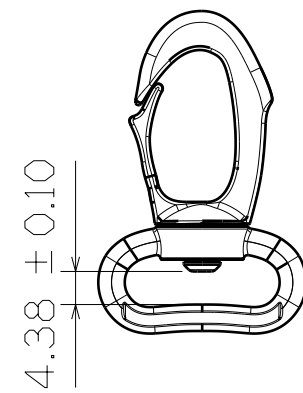
3D View



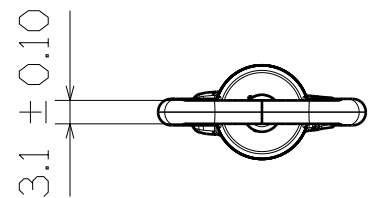
Right side view




SF349-20MM



Back view



Bottom view

This drawing is our property. It can't be reproduced or communicated without our written agreement.		 <b>SHIN FANG PLASTIC INDUSTRIAL CO., LTD.</b>			
DRAWN BY		DATE		DRAWING TITLE	
BRIAN CHEN		2009/5/15		SMALL HOOK	
CHECKED BY		DATE		SIZE	DRAWING NUMBER
JIMMY CHEN		2009/5/16		A3	SF349-20MM
DESIGNED BY		DATE		SCALE	MATERIAL
RD		XXX		1:1	PA
				SHEET	1/1

3

3

2

2

1

1

H G F E D C B A