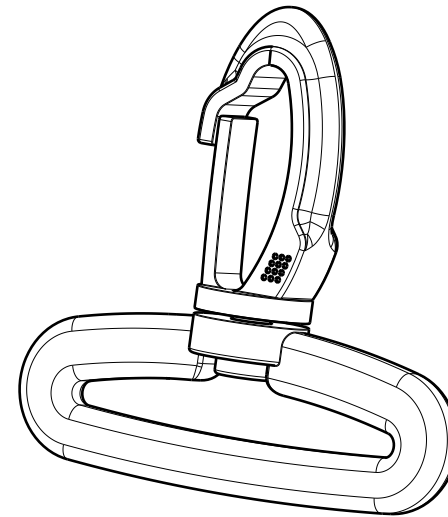
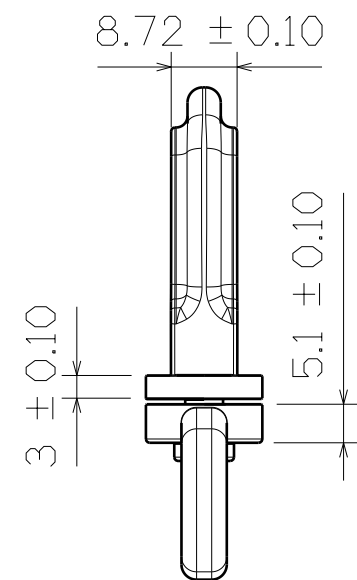


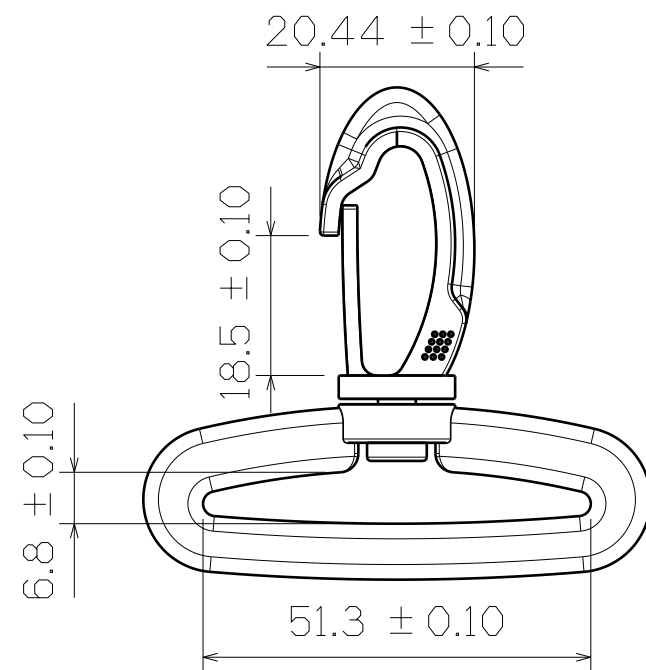
Top View



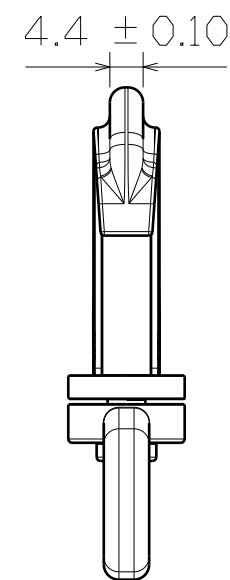
3D View



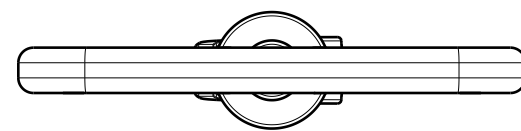
Right View



SF344-51mm



Left View



Bottom View

This drawing is our property.  
It can't be reproduced  
or communicated without  
our written agreement.

 **SHIN FANG PLASTIC  
INDUSTRIAL CO., LTD.**

DRAWING TITLE

DRAWN BY	DATE
DANIEL CHEN	2009/8/15
CHECKED BY	DATE
JIMMY CHEN	2009/8/15
DESIGNED BY	DATE
RD	2009/8

DRAWING NUMBER		REV
A3		X
SCALE	MATL.	SHEET
1:1	NYLON	1/1

SWIVEL HOOK

SF344-51MM