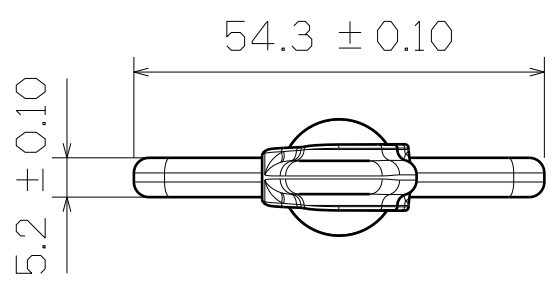


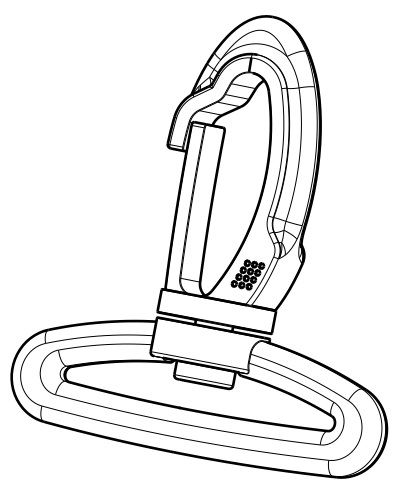
H G F E D C B A

4

4



Top View

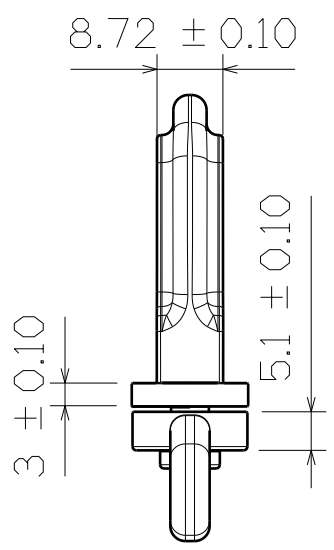


3D View

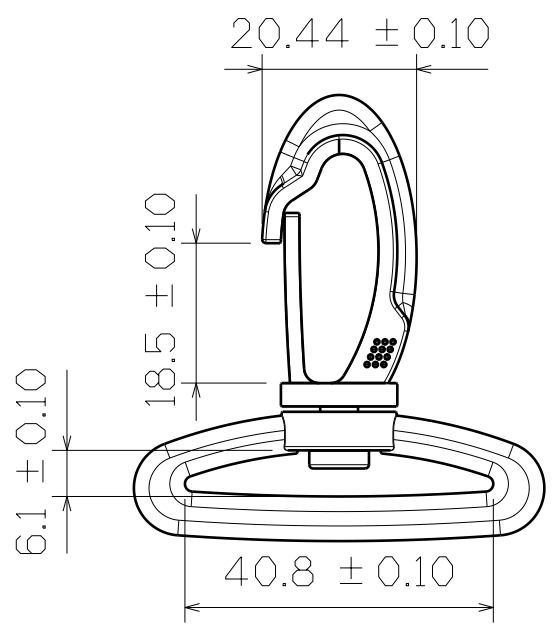


3

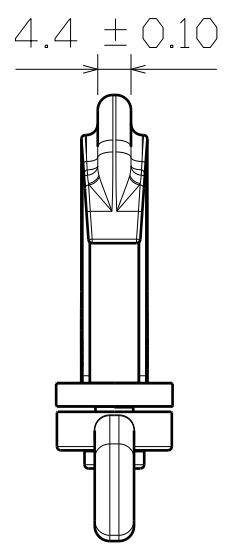
3



Right View



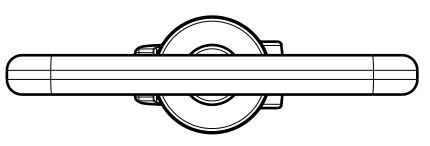
SF344-38mm



Left View

2

2



Bottom View

This drawing is our property.
It can't be reproduced
or communicated without
our written agreement.



**SHIN FANG PLASTIC
INDUSTRIAL CO., LTD.**

DRAWN BY DANIEL CHEN		DATE 2009/8/15	DRAWING TITLE SWIVEL HOOK		
CHECKED BY JIMMY CHEN		DATE 2009/8/15	SIZE A3	DRAWING NUMBER SF344-38MM	REV X
DESIGNED BY RD		DATE 2009/8	SCALE 1:1	MATL. NYLON	SHEET 1/1

H G F E D C B A

1

1