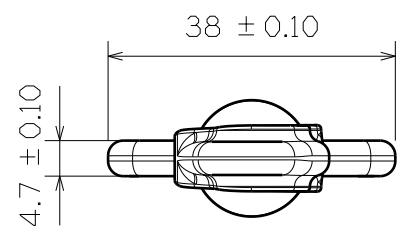
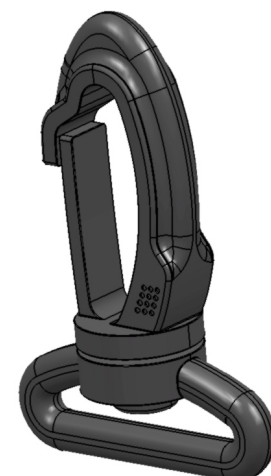
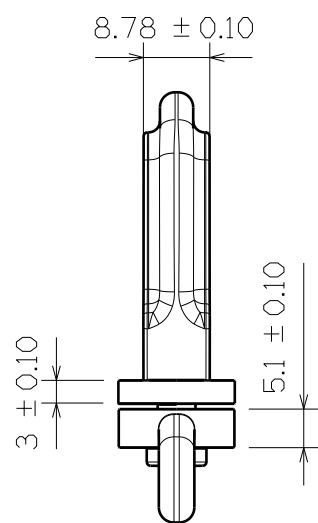


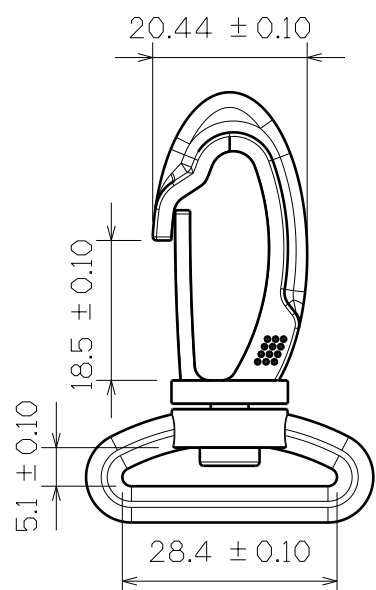
3D View



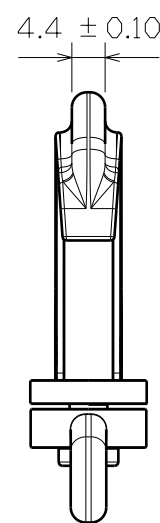
Top View



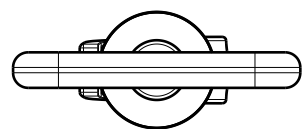
Right View




SF344-25mm



Left View



Bottom View

This drawing is our property. It can't be reproduced or communicated without our written agreement.		 SHIN FANG PLASTIC INDUSTRIAL CO., LTD.		
DRAWN BY DANIEL CHEN		DATE 2009/8/15		DRAWING TITLE SWIVEL HOOK
CHECKED BY JIMMY CHEN		DATE 2009/8/15		
DESIGNED BY RD		DATE 2009/8		SIZE: A3 DRAWING NUMBER: SF344-25MM REV: X
SCALE	1:1	MATL.	NYLON	SHEET 1/1