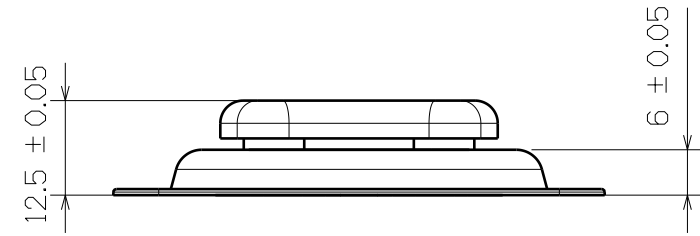
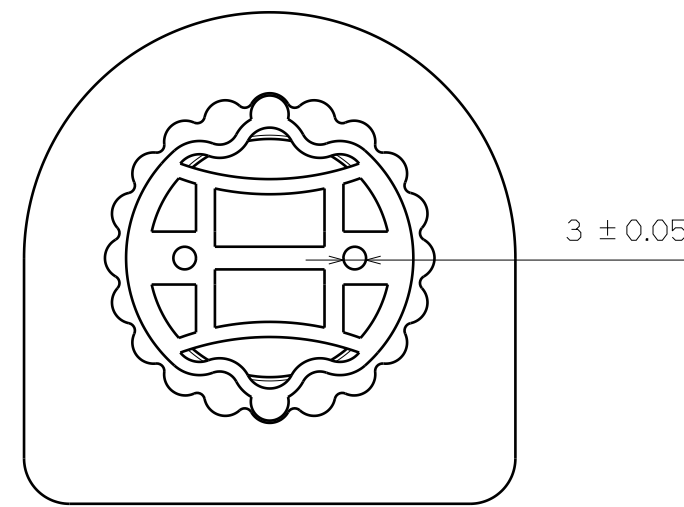


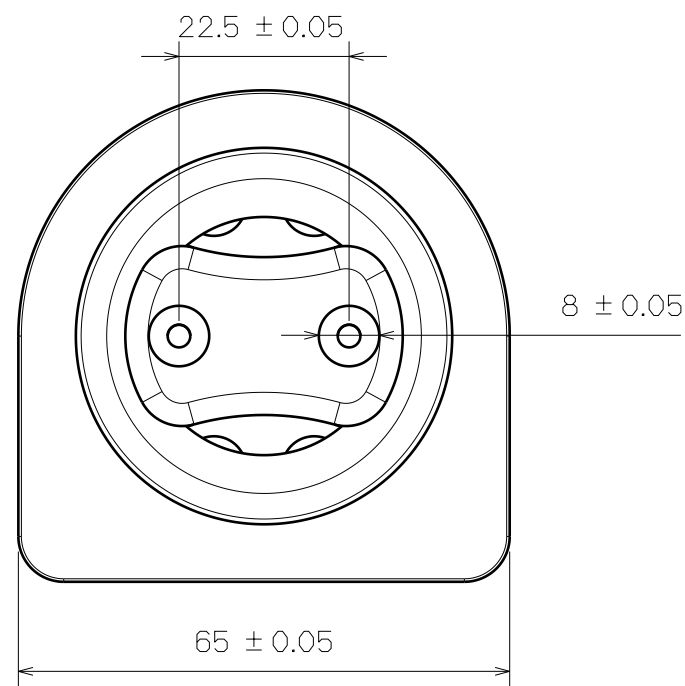
3D View



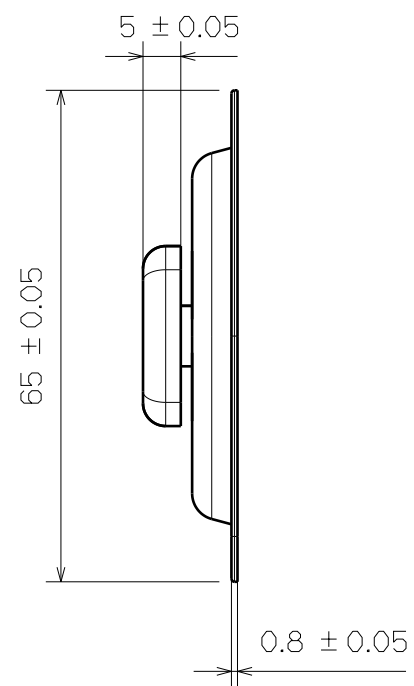
Top View



Back View



SF342



Right View

This drawing is our property.
It can't be reproduced
or communicated without
our written agreement.



**SHIN FANG PLASTIC
INDUSTRIAL CO., LTD.**

DRAWN BY		DATE		DRAWING TITLE			
BRIAN CHEN		2002/3/5		Swivel Belt Buckle			
CHECKED BY		DATE		SIZE	DRAWING NUMBER		REV
JIMMY CHEN		2002/3/6		A3	SF342		X
DESIGNED BY		DATE		SCALE	1:1	MATERIAL	NYLON
RD		2002/3				SHEET	1/1