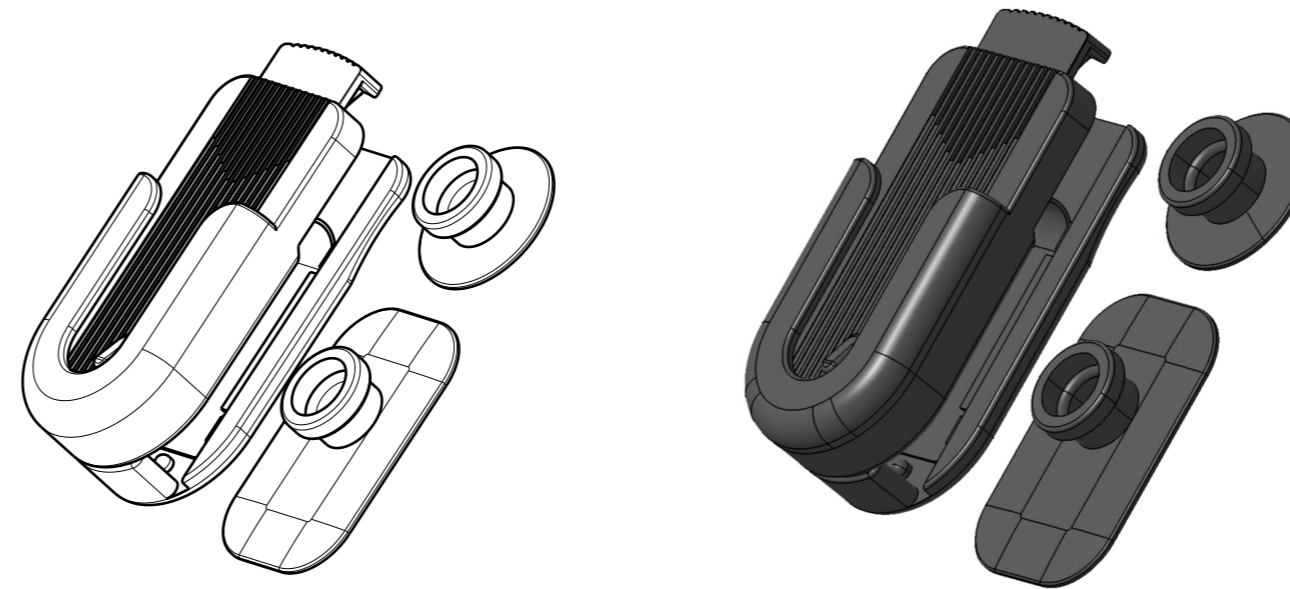
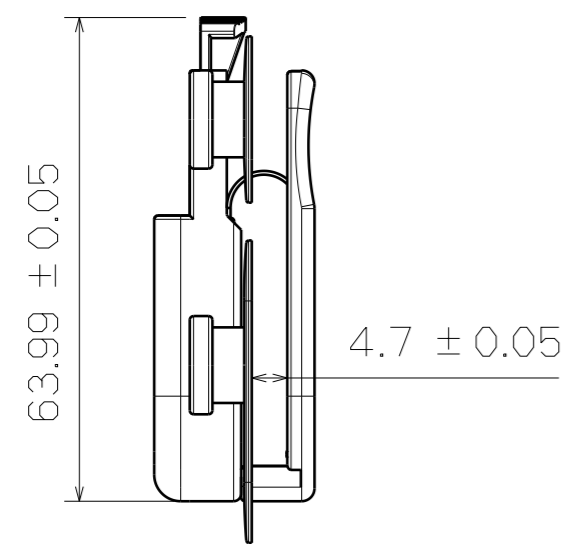


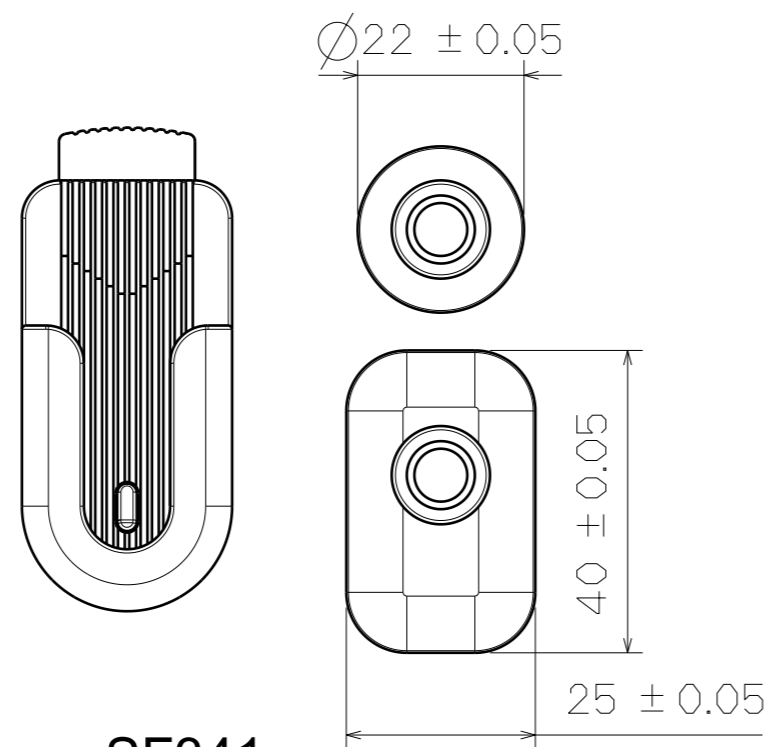
Top View



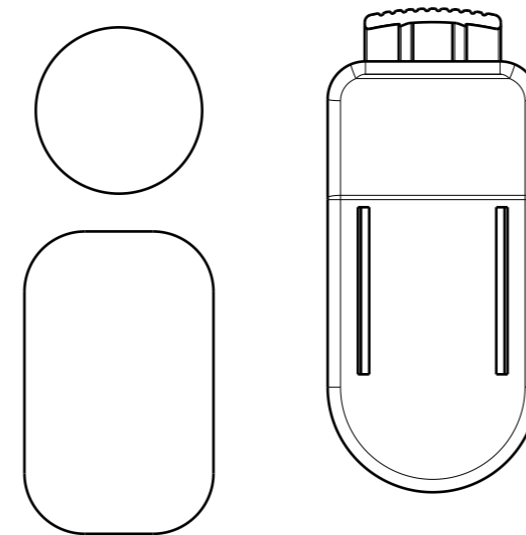
3D View



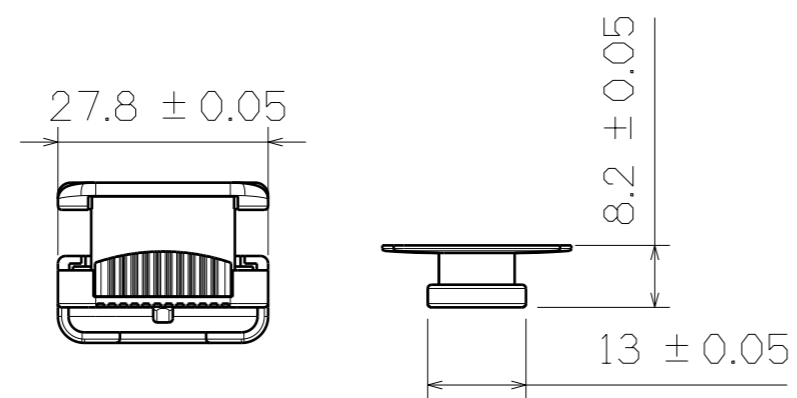
Right View



SF341



Back View



Bottom View

This drawing is our property.  
It can't be reproduced  
or communicated without  
our written agreement.

**SHIN FANG PLASTIC  
INDUSTRIAL CO., LTD.**

DRAWN BY		DATE		DRAWING TITLE			
BRIAN CHEN		2002/2/9		Swivel Belt Clip			
CHECKED BY		DATE		SIZE	DRAWING NUMBER	REV	
JIMMY CHEN		2002/2/10		A2	SF341	X	
DESIGNED BY		DATE		SCALE	MATERIAL	SHEET	1/1
RD		2002/2		1:1	ABS		