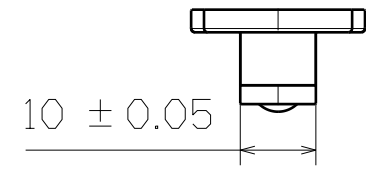
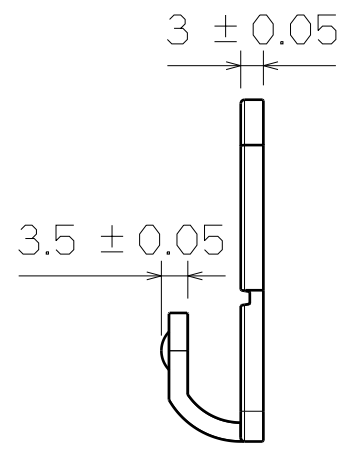


3D View



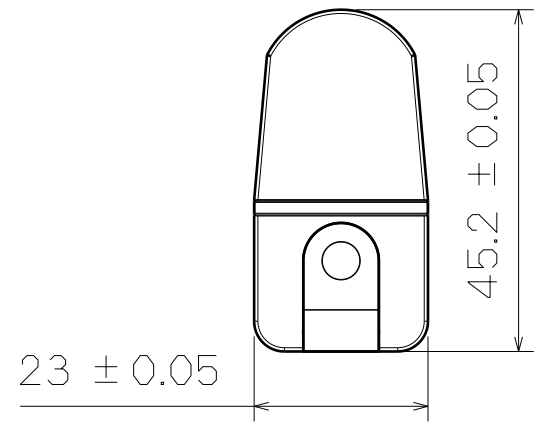
10 ± 0.05

Top View



3.5 ± 0.05

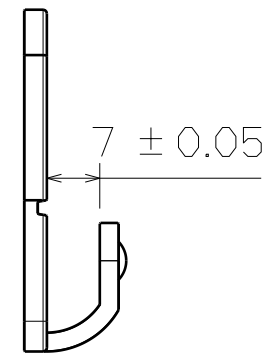
Right View



45.2 ± 0.05

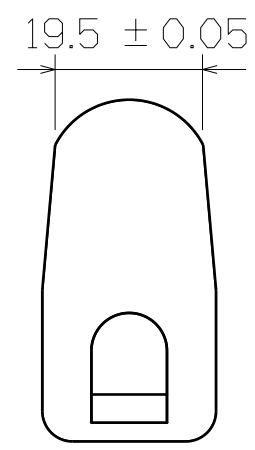
23 ± 0.05

SF335




7 ± 0.05

Left View



19.5 ± 0.05

Back View

This drawing is our property. It can't be reproduced or communicated without our written agreement.		 SHIN FANG PLASTIC INDUSTRIAL CO., LTD.			
DRAWN BY DANIEL CHEN		DATE 1999/3/5		DRAWING TITLE HANG HOOK	
CHECKED BY JIMMY CHEN		DATE 1999/3/8		SIZE A3	REV X
DESIGNED BY RD		DATE 1999/3		DRAWING NUMBER SF335	
		SCALE 1:1	MATERIAL PP	SHEET 1/1	